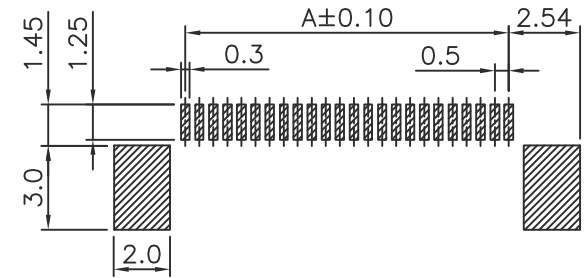
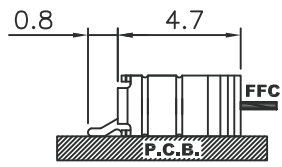
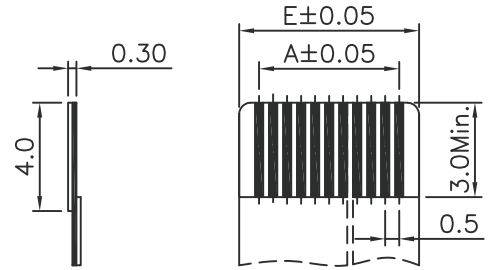
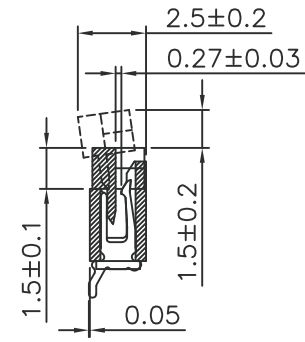
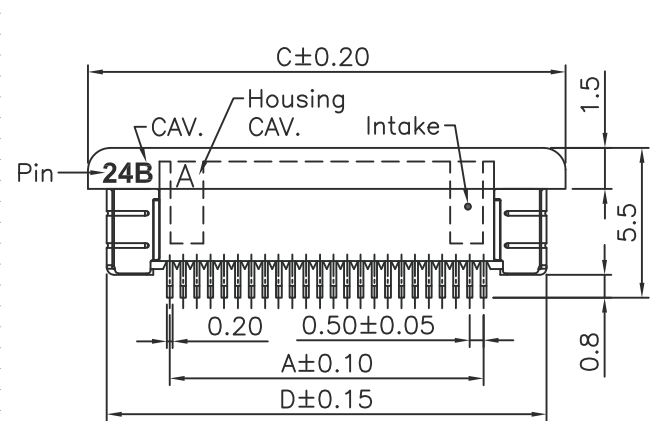
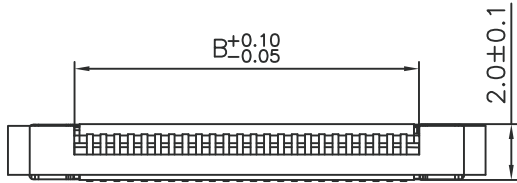


RoHS Compliant Customer Drawing

No.	A	B	C	D	E
04	1.50	2.6	7.50	6.40	2.50
05	2.00	3.1	8.00	6.90	3.00
06	2.50	3.6	8.50	7.40	3.50
07	3.00	4.1	9.00	7.90	4.00
08	3.50	4.6	9.50	8.40	4.50
09	4.00	5.1	10.00	8.90	5.00
10	4.50	5.6	10.50	9.40	5.50
11	5.00	6.1	11.00	9.90	6.00
12	5.50	6.6	11.50	10.40	6.50
13	6.00	7.1	12.00	10.90	7.00
14	6.50	7.6	12.50	11.40	7.50
15	7.00	8.1	13.00	11.90	8.00
16	7.50	8.6	13.50	12.40	8.50
17	8.00	9.1	14.00	12.90	9.00
18	8.50	9.6	14.50	13.40	9.50
19	9.00	10.1	15.00	13.90	10.00
20	9.50	10.6	15.50	14.40	10.50
21	10.00	11.1	16.00	14.90	11.00
22	10.50	11.6	16.50	15.40	11.50
23	11.00	12.1	17.00	15.90	12.00
24	11.50	12.6	17.50	16.40	12.50
25	12.00	13.1	18.00	16.90	13.00
26	12.50	13.6	18.50	17.40	13.50
27	13.00	14.1	19.00	17.90	14.00
28	13.50	14.6	19.50	18.40	14.50
29	14.00	15.1	20.00	18.90	15.00
30	14.50	15.6	20.50	19.40	15.50
31	15.00	16.1	21.00	19.90	16.00
32	15.50	16.6	21.50	20.40	16.50
33	16.00	17.1	22.00	20.90	17.00
34	16.50	17.6	22.50	21.40	17.50
35	17.00	18.1	23.00	21.90	18.00
36	17.50	18.6	23.50	22.40	18.50
37	18.00	19.1	24.00	22.90	19.00
38	18.50	19.6	24.50	23.40	19.50
39	19.00	20.1	25.00	23.90	20.00
40	19.50	20.6	25.50	24.40	20.50
41	20.00	21.1	26.00	24.90	21.00
42	20.50	21.6	26.50	25.40	21.50
43	21.00	22.1	27.00	25.90	22.00
44	21.50	22.6	27.50	26.40	22.50
45	22.00	23.1	28.00	26.90	23.00
46	22.50	23.6	28.50	27.40	23.50
47	23.00	24.1	29.00	27.90	24.00
48	23.50	24.6	29.50	28.40	24.50
49	24.00	25.1	30.00	28.90	25.00
50	24.50	25.6	30.50	29.40	25.50
51	25.00	26.1	31.00	29.90	26.00
52	25.50	26.6	31.50	30.40	26.50
53	26.00	27.1	32.00	30.90	27.00
54	26.50	27.6	32.50	31.40	27.50
55	27.00	28.1	33.00	31.90	28.00
56	27.50	28.6	33.50	32.40	28.50
57	28.00	29.1	34.00	32.90	29.00
58	28.50	29.6	34.50	33.40	29.50
59	29.00	30.1	35.00	33.90	30.00
60	29.50	30.6	35.50	34.40	30.50



Specifications:
 Current Rating:0.4A AC/DC
 Voltage Rating:50V(200Hz) AC/DC
 Contact resistance:20m Ohm Max.
 Insulator resistance:500M ohm min.
 Withstanding Voltage:200V AC/Minute
 Operating Temperature Range:-25°C~+85°C
 Material And Finish
 Insulator:Nylon 9T UL94V-0, Color:White
 ZIF: Nylon 9T UL94V-0, Color:Black
 Contact:Phosphor Bronze
 Contact Plated: Tin Plated.

ORDER CODE:

ZIFEXX-0.5TS-R

Number of Contacts

Packaging:
 -R=Tape+Reel
 -U-R=Tube

Proper Cable

Assembly Layout

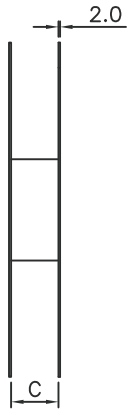
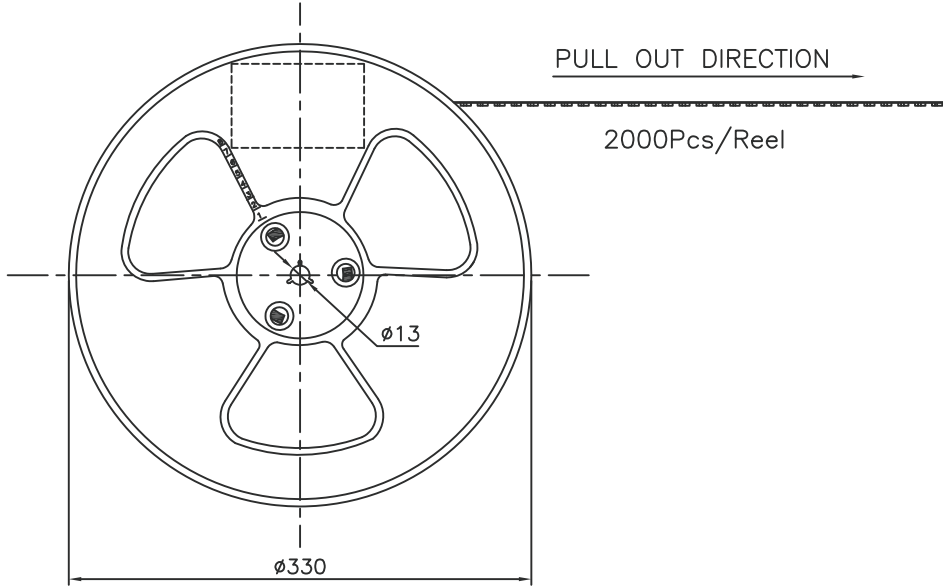
Recommended PCB Layout

1.3			
1.2			
1.1			
1.0	RELEASED	HuangBingqiu	25-Nov-2010
REV.	ECN. NO.	DR.BY	DATE

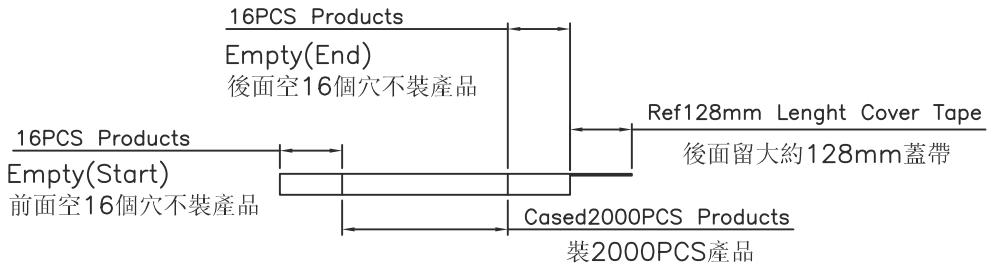
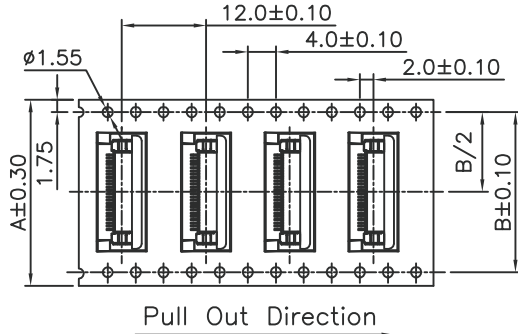
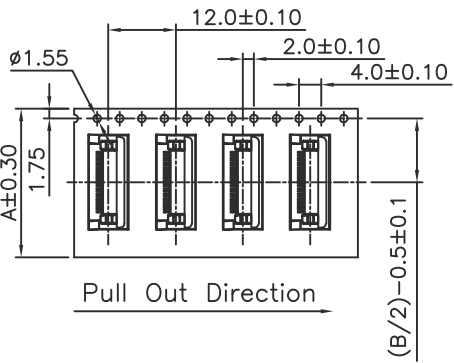


XX.: ±0.40	X.: ±2'
X.: ±0.25	X.X': ±1'
X.X: ±0.15	X.XX':
X.XX: ±0.10	X.XXX':
UNIT: mm	
SCALE: 1:1	SHEET: 1/1

TITLE : 0.5mm pitch ZIF Connector side entry.top contact.slide actuator	
APPD.: Alan Chao	PART NO : ZIFEXX-0.5TS-R
CHKD.: Cel Wang	DWG. NO.: RDA101125-001(JD)
DR.:HuangBingqiu	REV.:1.0 DATE:25-Nov-2010



No.of Contacts	Dim A	Dim B	Dim C
04--07	16	---	16.5
08--22	24	22	24.5
23--33	32	28.4	32.5
34--46	44	40	44.5
48--56	56	52.4	56.5
57--60	58	54	58.5



1.3					
1.2					
1.1					
1.0	RELEASED	Wei Feng	08-Dec-2010	MAT'L:	FINISH:
REV.	ECN. NO.	DR.BY	DATE		



XX.: ±5	X.XXXX: ±0.002
X.X: ±0.2	
X.XX: ±0.1	X.: ±0.5'
X.XXX: ±	X.X': ±0.1'
UNIT: mm	
SCALE: 1:1	SHEET: 1/1

TITLE : 0.5mm pitch ZIF Connector side entry.top contact.slide actuator		
APPD.: Alan Chao	PART NO : ZIFEXX-0.5TS-R	
CHKD.: Cel Wang	DWG. NO.: RDA101125-001(JD)	
DR.: Wei Feng	REV.: 1.0	DATE: 08-Dec-2010