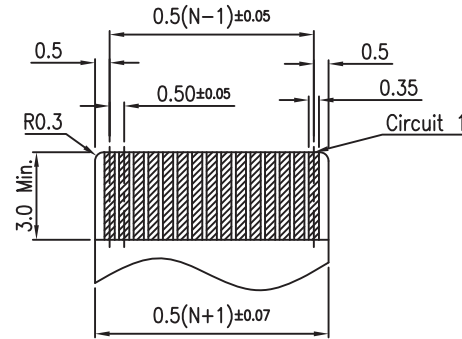
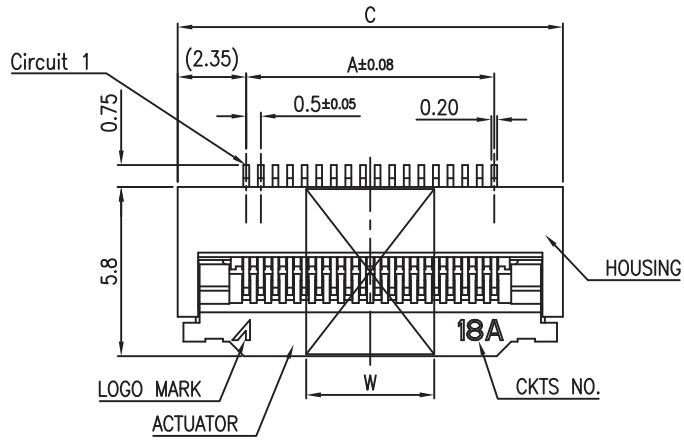
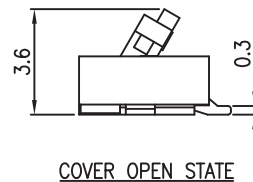
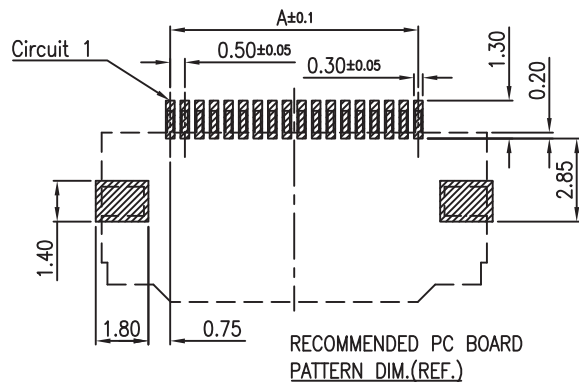
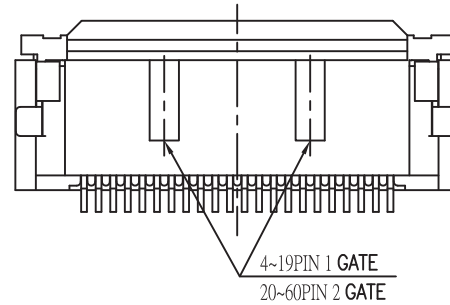
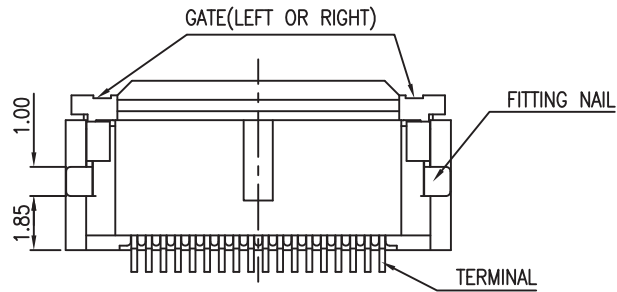
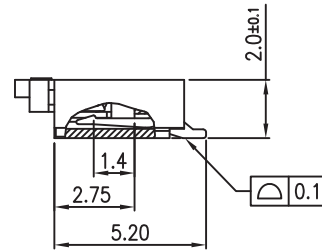
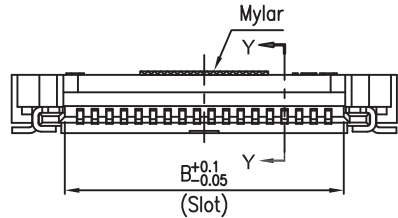


ROHS COMPLIANT



APPLICABLE FPC  
RECOMMENDED DIM.  
(THICKNESS: 0.3±0.03)



NOTES:

1. MATERIAL;  
HOUSING; HIGH TEMP THERMOPLASTIC  
COLOUR; HOUSING - NATURAL, ACTUATOR - BLACK  
TERMINAL; COPPER ALLOY  
FITTING NAIL; COPPER ALLOY
2. PLATING; GOLD FLASH
3. PACKAGING; TAPE & REEL WITH MYLAR

ORDER CODE:

ZIFCXX-0.5BF-R

No contacts: 04-60

CKT	Dim A	Dim B	Dim C	Mts(W)	CKT	Dim A	Dim B	Dim C	Mts(W)
4	1.50	2.56	6.2	6.0	33	16.00	17.06	20.7	6.0
5	2.00	3.06	6.7	6.0	34	16.50	17.56	21.2	10.0
6	2.50	3.56	7.2	6.0	35	17.00	18.06	21.7	10.0
7	3.00	4.06	7.7	6.0	36	17.50	18.56	22.2	10.0
8	3.50	4.56	8.2	6.0	37	18.00	19.06	22.7	10.0
9	4.00	5.06	8.7	6.0	38	18.50	19.56	23.2	10.0
10	4.50	5.56	9.2	6.0	39	19.00	20.06	23.7	10.0
11	5.00	6.06	9.7	6.0	40	19.50	20.56	24.2	10.0
12	5.50	6.56	10.2	6.0	41	20.00	21.06	24.7	10.0
13	6.00	7.06	10.7	6.0	42	20.50	21.56	25.2	10.0
14	6.50	7.56	11.2	6.0	43	21.00	22.06	25.7	10.0
15	7.00	8.06	11.7	6.0	44	21.50	22.56	26.2	10.0
16	7.50	8.56	12.2	6.0	45	22.00	23.06	26.7	15.0
17	8.00	9.06	12.7	6.0	46	22.50	23.56	27.2	15.0
18	8.50	9.56	13.2	6.0	47	23.00	24.06	27.7	15.0
19	9.00	10.06	13.7	6.0	48	23.50	24.56	28.2	15.0
20	9.50	10.56	14.2	6.0	49	24.00	25.06	28.7	15.0
21	10.00	11.06	14.7	6.0	50	24.50	25.56	29.2	15.0
22	10.50	11.56	15.2	6.0	51	25.00	26.06	29.7	15.0
23	11.00	12.06	15.7	6.0	52	25.50	26.56	30.2	15.0
24	11.50	12.56	16.2	6.0	53	26.00	27.06	30.7	15.0
25	12.00	13.06	16.7	6.0	54	26.50	27.56	31.2	15.0
26	12.50	13.56	17.2	6.0	55	27.00	28.06	31.7	15.0
27	13.00	14.06	17.7	6.0	56	27.50	28.56	32.2	15.0
28	13.50	14.56	18.2	6.0	57	28.00	29.06	32.7	15.0
29	14.00	15.06	18.7	6.0	58	28.50	29.56	33.2	15.0
30	14.50	15.56	19.2	6.0	59	29.00	30.06	33.7	15.0
31	15.00	16.06	19.7	6.0	60	29.50	30.56	34.2	15.0
32	15.50	16.56	20.2	6.0					

一般公差 TOLERANCES X ±0.5 .XX ±0.15 X ±0.25 .XXX ±0.1 ANGLES ±2°	 <b>GTK UK LTD.</b>	
檢驗尺寸標示 SYMBOLS (M) (L) INDICATE CLASSIFICATION DIMENSION (M) MARK IS CRITICAL DIM. (L) MARK IS MAJOR DIM.	品名 (TITLE) <b>0.5mm EASY ON FPC CONN. SMT R/A TYPE</b> 圖號 (DWG.NO) <b>ZIFCXX-0.5BF-R</b>	製圖 (DR) <b>蔡文華</b> 日期 <b>06/7/24</b> 審核 (CHKD) <b>Jason</b> 核准 (APPD) <b>Jason</b>
表面處理 (FINISH)	比例 (SCALE) <b>1:1</b> 單位 (UNITS) <b>mm</b>	張數 (SHEET) <b>1 OF 1</b> 圖號 (DWG.NO) <b>ZIFCXX-0.5BF-R</b> 尺寸 <b>A4</b> 頁數 <b>H</b>