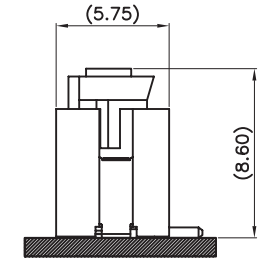
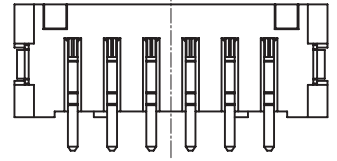
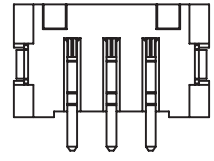
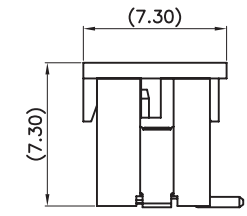
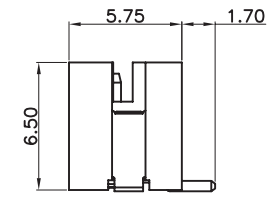
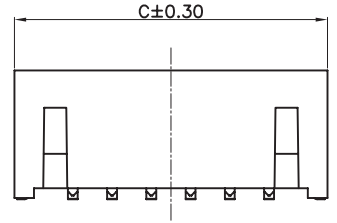
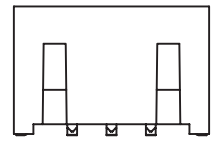
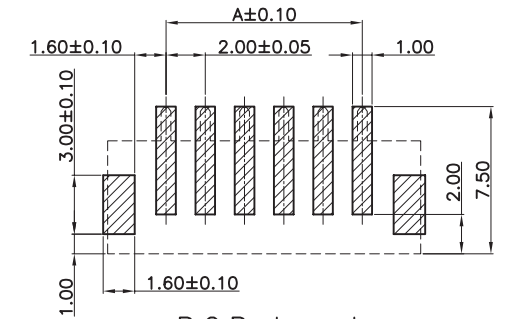
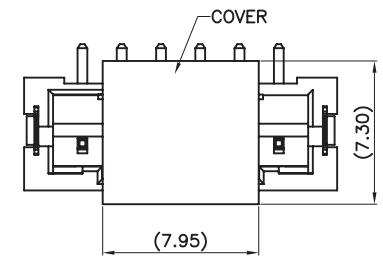
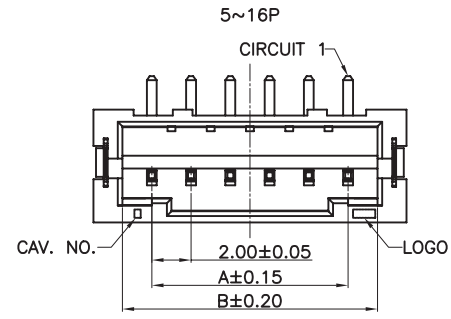
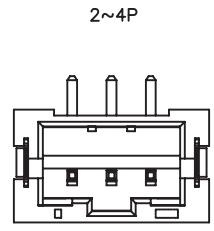


Engineer Drawing

REV	ECN NO.	DESCRIPTION	DATE	APP'D
C/O		RELEASE TO PRODUCTION	06/22/12	Paul



Pin	DIM. (mm)			Pin	DIM. (mm)		
	A	B	C		A	B	C
02	2.00	5.00	7.95	10	18.00	21.00	23.95
03	4.00	7.00	9.95	11	20.00	23.00	25.95
04	6.00	9.00	11.95	12	22.00	25.00	27.95
05	8.00	11.00	13.95	13	24.00	27.00	29.95
06	10.00	13.00	15.95	14	26.00	29.00	31.95
07	12.00	15.00	17.95	15	28.00	31.00	33.95
08	14.00	17.00	19.95	16	30.00	33.00	35.95
09	16.00	19.00	21.95				

NOTES:

1. MATERIAL:
INSULATION(STANDARD): NYLON 9T, UL94V-0 (CREAM)


CONTACT:PHOSPHOR BRONZE
SOLDER TAB: PHOSPHOR BRONZE / MATTE-TIN PLATED OVER NICKEL

2. FINISH: MATTE-TIN PLATED OVER NICKEL

ORDER CODE;

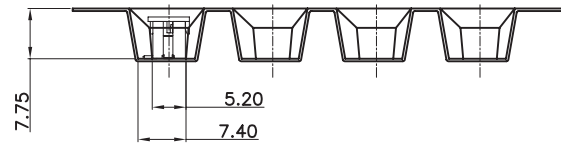
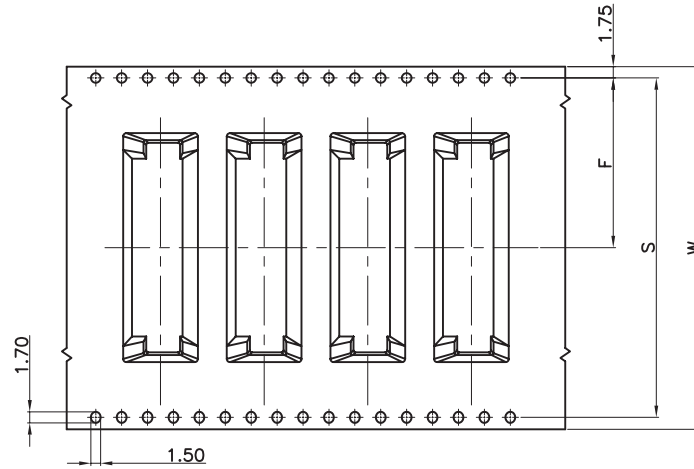
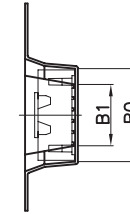
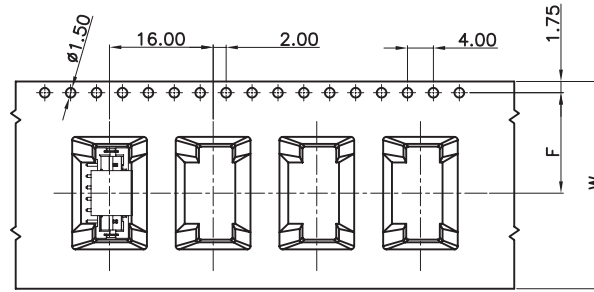
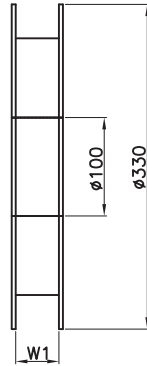
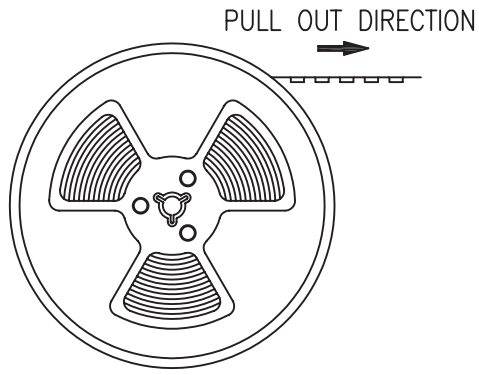
WTBM-xxS-SMH2T-R

No of positions;
02-16

<p>TOLERANCE</p> <p>X. ±0.30</p> <p>X.X ±0.25</p> <p>X.XX ±0.15</p> <p>X.XXX ±0.08</p> <p>ANGULA 3'</p> <p>UNLESS OTHERWISE SPECIFIED</p>	APPROVALS		DATE	 <p>GTK UK LTD.</p>
	DRAWN		06/22/12'	
	CHK'D		06/22/12'	
	APP'D		06/22/12'	
	UNITS mm	SCALE 1:1	SIZE: A4	
SHEET 1 OF 1			REV. C/O	

Engineer Drawing


REV	ECN NO.	DESCRIPTION	DATE	APP'D
C/O		RELEASE TO PRODUCTION	06/22/12	Paul



PIN	DIM. (mm)					
	B0	B1	F	S	W	W1
02	8.35	3.45	11.50		24.00	24.50
03	10.35	5.45	11.50		24.00	24.50
04	12.35	7.45	11.50		24.00	24.50
05	14.35	9.45	14.20	28.40	32.00	32.50
06	16.35	11.45	14.20	28.40	32.00	32.50
07	18.35	13.45	14.20	28.40	32.00	32.50
08	20.35	15.45	20.20	40.40	44.00	44.50
09	22.35	17.45	20.20	40.40	44.00	44.50
10	24.35	19.45	20.20	40.40	44.00	44.50
11	26.35	21.45	20.20	40.40	44.00	44.50
12	28.35	23.45	20.20	40.40	44.00	44.50
13	30.35	25.45	20.20	40.40	44.00	44.50
14	32.35	27.45	26.20	52.40	56.00	56.50
15	34.35	29.45	26.20	52.40	56.00	56.50
16	36.35	31.45	26.20	52.40	56.00	56.50

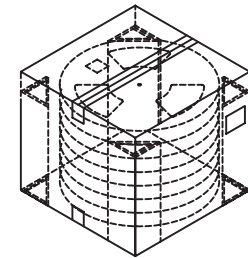
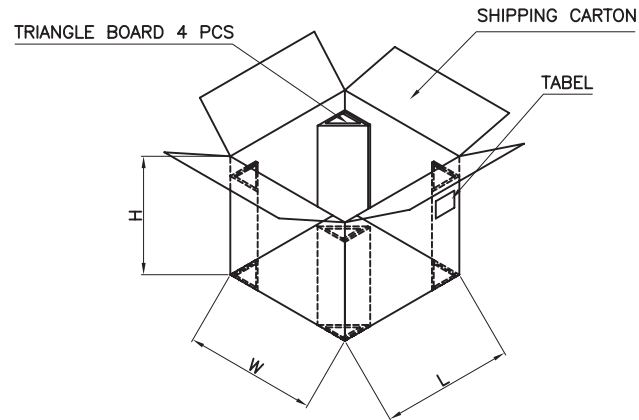
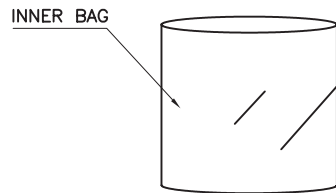
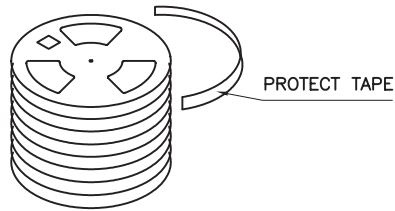
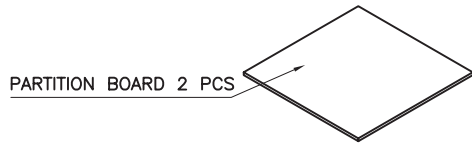
NOTES:

- 10 SPROCKET HOLE PITCH CUMULATIVE TOLERANCE ± 0.20 .
- CARRIER CAMBER IS WITHIN 1 mm IN 250 mm.
- MATERIAL : BLACK CONDUCTIVE POLYSTYRENE ALLOY.(UP-5000)
- ALL DIMENSIONS MEET EIA-481-C REQUIREMENTS.
- THICKNESS : 0.40 ± 0.05 mm.
- COMPONENT LOAD PER 13" REEL : 500 PCS.

TOLERANCE X. ± 0.30 X.X ± 0.25 X.XX ± 0.15 X.XXX ± 0.08 ANGULA 3° UNLESS OTHERWISE SPECIFIED	APPROVALS		DATE	 GTK UK LTD.
	DRAWN <i>Vinson Hu</i>		06/22/12'	
	CHK'D <i>Paul Chen</i>		06/22/12'	
	APP'D <i>Wayne Lai</i>		06/22/12'	
UNITS mm		SCALE 1:1	SIZE: A4	PART NO. TU2001WNV-NPS-*-*-*C-A TITLE: WIRE TO BOARD, RECEPTACLE, PITCH 2.00mm, VERTICAL, SMT TYPE, ASSEMBLY
				SHEET OF 1 REV. C/0



Engineer Drawing

REV	ECN NO.	DESCRIPTION	DATE	APP'D
C/O		RELEASE TO PRODUCTION	06/22/12	Paul



PACKING MATERIAL	
PART NAME	DIM. (mm)
REEL	Ø330*(W+0.5)
CARTON	350*350*340

PACKING CAPACITY			
PART NO.	PCS/RE	RE/BC	PCS/BC
TU2001WNV-02S-*. *- *-C-A	500 PCS/RE	10 RE/BC	5,000 PCS/BC
TU2001WNV-03S-*. *- *-C-A	500 PCS/RE	10 RE/BC	5,000 PCS/BC
TU2001WNV-04S-*. *- *-C-A	500 PCS/RE	10 RE/BC	5,000 PCS/BC
TU2001WNV-05S-*. *- *-C-A	500 PCS/RE	8 RE/BC	4,000 PCS/BC
TU2001WNV-06S-*. *- *-C-A	500 PCS/RE	8 RE/BC	4,000 PCS/BC
TU2001WNV-07S-*. *- *-C-A	500 PCS/RE	8 RE/BC	4,000 PCS/BC
TU2001WNV-08S-*. *- *-C-A	500 PCS/RE	6 RE/BC	3,000 PCS/BC
TU2001WNV-09S-*. *- *-C-A	500 PCS/RE	6 RE/BC	3,000 PCS/BC
TU2001WNV-10S-*. *- *-C-A	500 PCS/RE	6 RE/BC	3,000 PCS/BC
TU2001WNV-11S-*. *- *-C-A	500 PCS/RE	6 RE/BC	3,000 PCS/BC
TU2001WNV-12S-*. *- *-C-A	500 PCS/RE	6 RE/BC	3,000 PCS/BC
TU2001WNV-13S-*. *- *-C-A	500 PCS/RE	6 RE/BC	3,000 PCS/BC
TU2001WNV-14S-*. *- *-C-A	500 PCS/RE	5 RE/BC	2,500 PCS/BC
TU2001WNV-15S-*. *- *-C-A	500 PCS/RE	5 RE/BC	2,500 PCS/BC
TU2001WNV-16S-*. *- *-C-A	500 PCS/RE	5 RE/BC	2,500 PCS/BC

TOLERANCE X. ±0.30 X.X ±0.25 X.XX ±0.15 X.XXX ±0.08 ANGULA 3° UNLESS OTHERWISE SPECIFIED	APPROVALS		DATE	 GTK UK LTD.	
	DRAWN <i>Vinson Hu</i>		06/22/12'		
	CHK'D <i>Paul Chen</i>		06/22/12'	PART NO. TU2001WNV-NPS-*. *- *-C-A	TITLE: WIRE TO BOARD, RECEPTACLE, PITCH 2.00mm, VERTICAL, SMT TYPE, ASSEMBLY
	APP'D <i>Wayne Lai</i>		06/22/12'	DRAWING NO. EN-TU2001WNV-NPS-*. *- *-C-A	
	UNITS mm	SCALE 1:1	SIZE: A4	 SHEET OF 1	REV. C/O