

6000 Series

FEATURES:

- . 02~20 Circuits
- . .0197"[0.50mm] square wire pins
- . Nylon, [UL 94V-0]
- Part Number: WTBM-xxS-CF3-R

└ No. of positions (02-20)

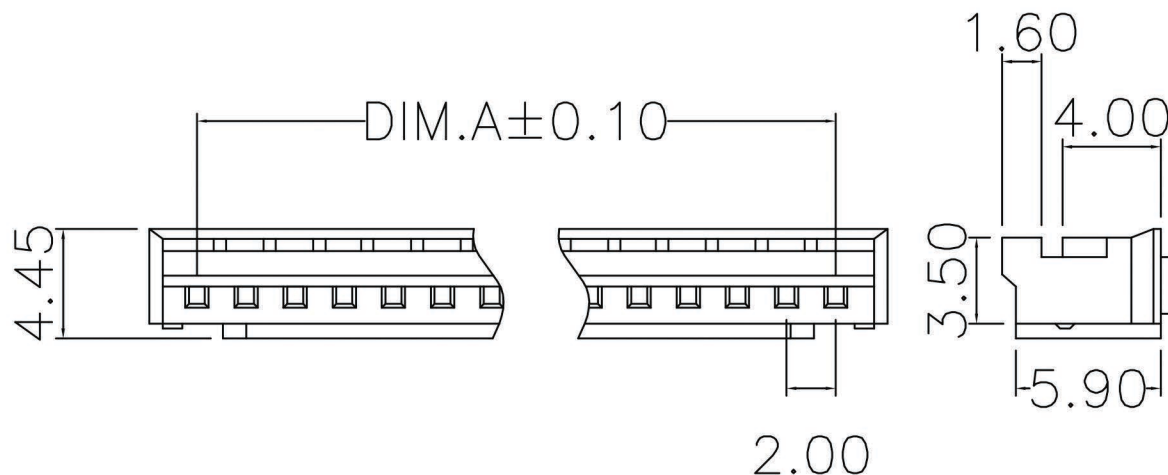
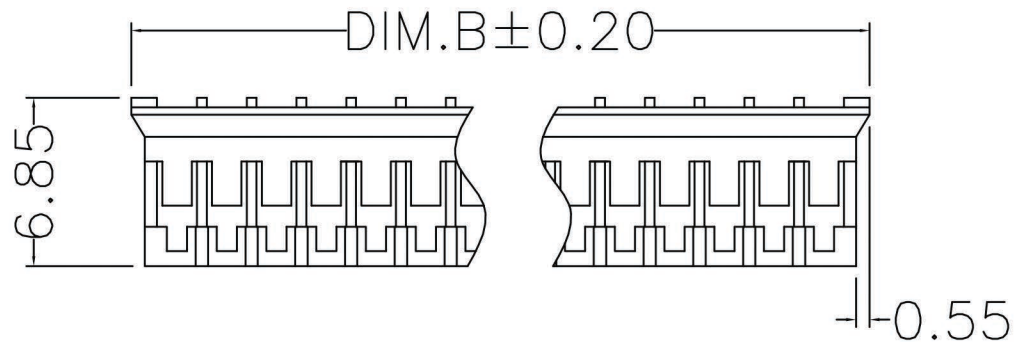
SPECIFICATIONS:

- . Current rating: 2A AC. DC
- . Voltage rating: 250V AC. Maximum
- . Temperature range: -40°C ~+105°C
- . Contact resistance: Initial Value/10mΩ max.
After environmental testing /20mΩ max.
- . Insulation resistance: 1000 MΩ min
- . Withstand Voltage: 1500V AC/minute
- . Applicable wires: AWG #30 ~ #22

PIN	DIM.A	DIM.B
02	2.0	5.80
03	4.0	7.80
04	6.0	9.80
05	8.0	11.80
06	10.0	13.80
07	12.0	15.80
08	14.0	17.80
09	16.0	19.80
10	18.0	21.80
11	20.0	23.80

PIN	DIM.A	DIM.B
12	22.0	25.80
13	24.0	27.80
14	26.0	29.80
15	28.0	31.80
16	30.0	33.80
17	32.0	35.80
18	34.0	37.80
19	36.0	39.80
20	38.0	41.80

RoHS compliant



TOLERANCE
X.X=±.20
X.XX=±.10
X.XXX=±.05

版本 1.0 ECR編號 修改內容

TITLE:	CUSTOMER APPROVAL	REVISION				⊕ THIRD ANGLE PROJECTION			
P/N:		REV.	DESCR.	DATE	SIGN	DRAWN:			
WTBM-xxS-CF3-R						CHECKED			
路徑: \\DUNCAN\D\MIRIAM\ENGINEER\6000\						APPROVED			

gtk **GTK UK LTD.**

DATE 2007.12.07 SCALE UNIT MM