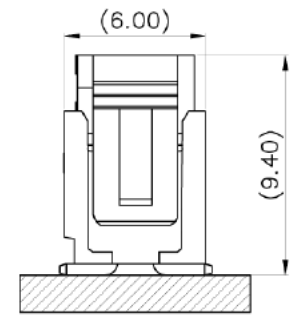
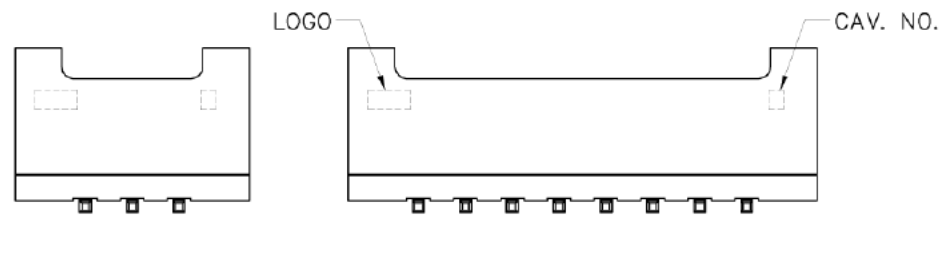
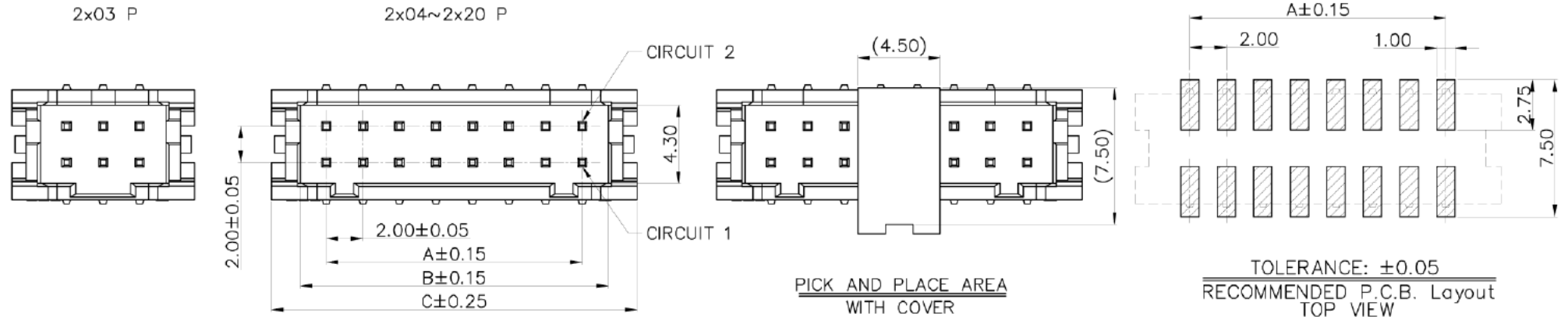


Engineer Drawing

REV	ECN NO.	DESCRIPTION	DATE	APP'D
A/0	N/A	NEW DRAWING	0/09/14'	Paul




NOTES;
 1. MATERIAL;
 INSULATOR (HALOGEN FREE); NYLON 4T, BLACK. UL94V-0
 COVER (HALOGEN FREE); NYLON 4T, UL94V-0
 CONTACT; COPPER ALLOY, 0.5mm SQUARE PIN
 CONTACT FINISH; see below

2. MATES WITH PLUG WTBM-XXD-CFL01-D

3. ORDER CODE; WTBM- XX D -SMH XX -R

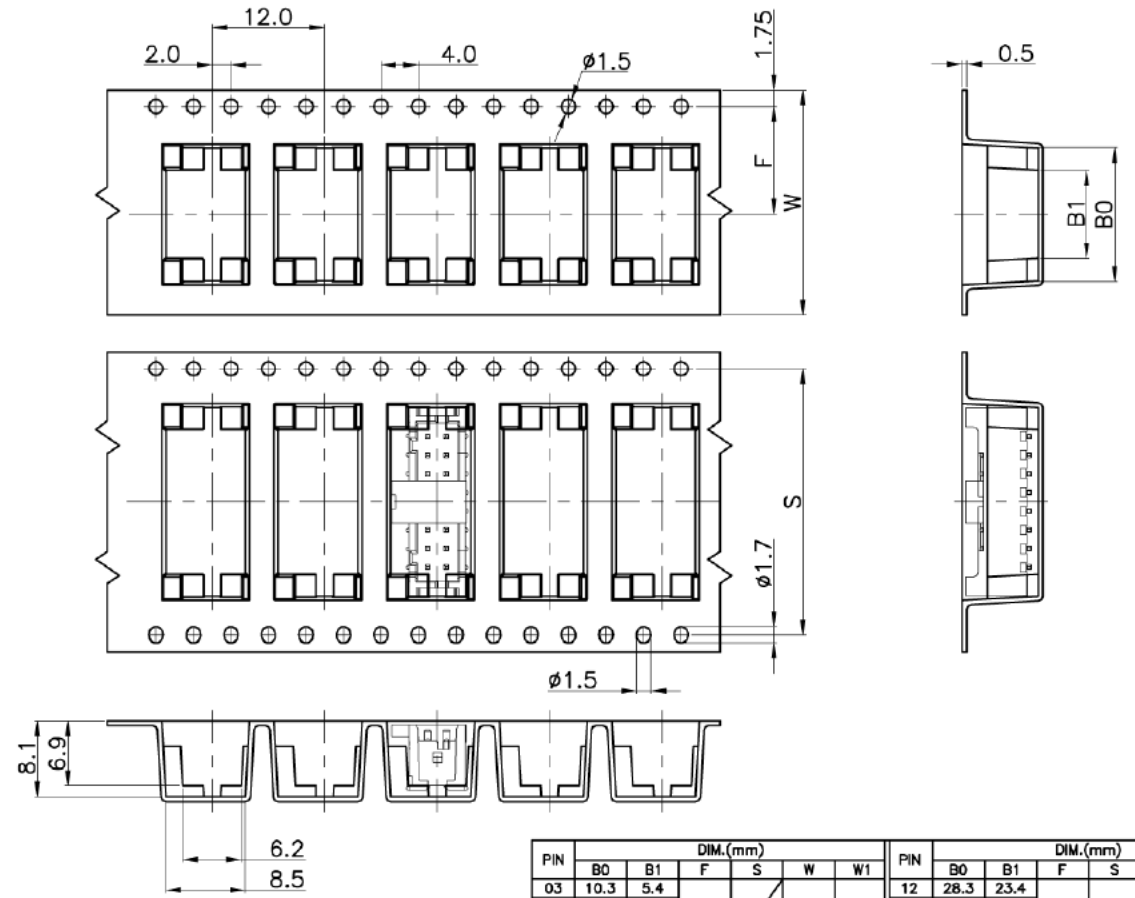
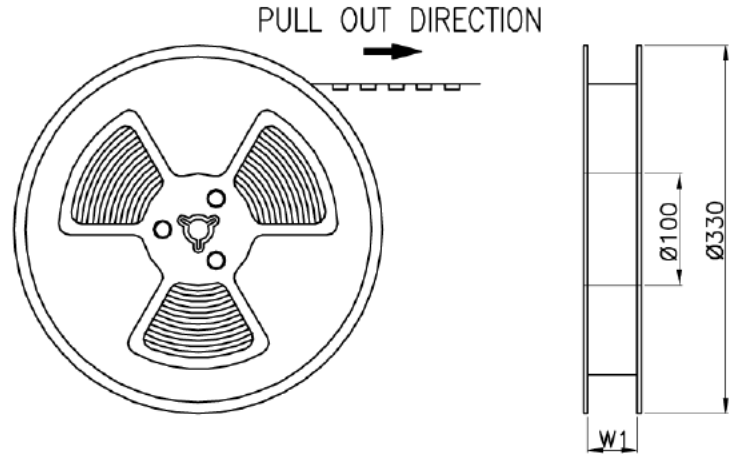
Total No contacts 04-40 Plating 01; 15µ" Gold over Nickel
 0T; Tin over Nickel

PIN	DIM.(mm)			PIN	DIM.(mm)		
	A	B	C		A	B	C
2x03	4.00	6.84	10.00	2x12	22.00	24.84	28.00
2x04	6.00	8.84	12.00	2x13	24.00	26.84	30.00
2x05	8.00	10.84	14.00	2x14	26.00	28.84	32.00
2x06	10.00	12.84	16.00	2x15	28.00	30.84	34.00
2x07	12.00	14.84	18.00	2x16	30.00	32.84	36.00
2x08	14.00	16.84	20.00	2x17	32.00	34.84	38.00
2x09	16.00	18.84	22.00	2x18	34.00	36.84	40.00
2x10	18.00	20.84	24.00	2x19	36.00	38.84	42.00
2x11	20.00	22.84	26.00	2x20	38.00	40.84	44.00

TOLERANCE	X.X ±0.25 X.XX ±0.15 ANGULA 3'	APPROVALS		DATE	 GTK UK LTD.
		DRAWN	<i>Jiwen Kong</i>	10/09/14'	
		CHK'D	<i>Carler Shih</i>	10/09/14'	
		APP'D	<i>Paul Chen</i>	10/09/14'	
UNLESS OTHERWISE SPECIFIED			UNITS mm	SCALE 1:1	SIZE: A4
			PART NO. WTBM-XXD-SMH01-R		TITLE: WIRE TO BOARD HEADER FOR LATCHING PLUGS. 2.0MM PITCH. SMT
			DRAWING NO. WTBM-XXD-SMH01-R		
			SHEET 1 OF 3		REV. A/0


Engineer Drawing

REV	ECN NO.	DESCRIPTION	DATE	APP'D
A/0	N/A	NEW DRAWING	10/09/14'	Paul



PIN	DIM.(mm)						PIN	DIM.(mm)					
	B0	B1	F	S	W	W1		B0	B1	F	S	W	W1
03	10.3	5.4	11.5	/	24.0	24.5	12	28.3	23.4	20.2	40.4	44.0	44.5
04	12.3	7.4					13	30.3	25.4				
05	14.3	9.4					14	32.3	27.4				
06	16.3	11.4					15	34.3	29.4				
07	18.3	13.4					16	36.3	31.4				
08	20.3	15.4	17	38.3	33.4	26.2	52.4	56.0	56.5				
09	22.3	17.4	18	40.3	35.4								
10	24.3	19.4	19	42.3	37.4								
11	26.3	21.4	20	44.3	39.4								

- NOTES:
- 10 SPROCKET HOLE PITCH CUMULATIVE TOLERANCE ± 0.20
 - CARRIER CAMBER IS WITHIN 1 mm IN 250 mm
 - MATERIAL : BLACK CONDUCTIVE POLYSTYRENE ALLOY.(UP-5000)
 - ALL DIMENSIONS MEET EIA-481-C REQUIREMENTS
 - THICKNESS : 0.35 ± 0.05 mm
 - COMPONENT LOAD PER 13" REEL : 500 PCS

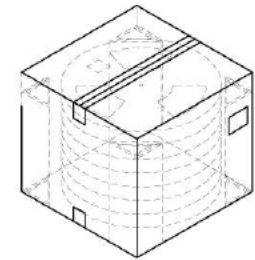
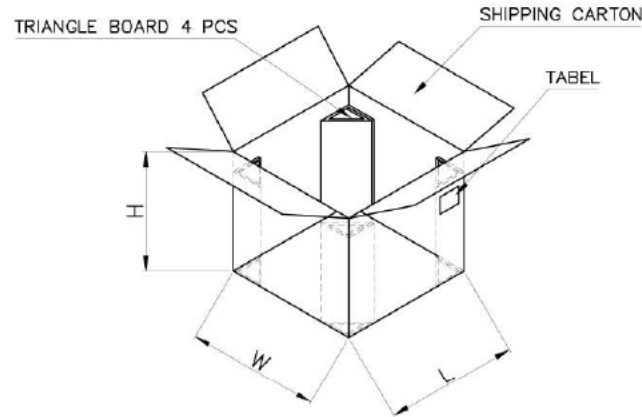
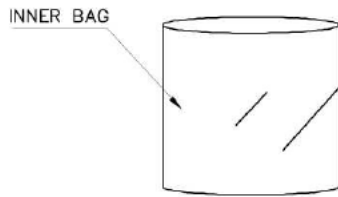
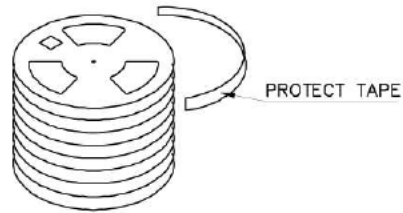
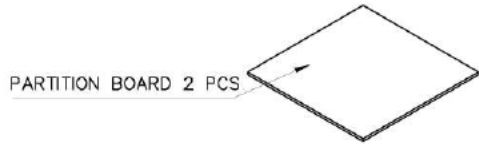
TOLERANCE	APPROVALS		DATE	 GTK UK LTD.	
	X.X	± 0.25	DRAWN		10/09/14'
			<i>Iwan Kong</i>		
	X.XX	± 0.15	CHK'D		10/09/14'
ANGULA	3'	APP'D	10/09/14'		
UNLESS OTHERWISE SPECIFIED	UNITS mm	SCALE 1:1	SIZE: A4	PART NO. WTBM-XXD-SMH01-R DRAWING NO. WTBM-XXD-SMH01-R SHEET 2 OF 3	

TITLE:
WIRE TO BOARD HEADER
FOR LATCHING PLUGS.
2.0MM PITCH. SMT


REV. A/0

Engineer Drawing

REV	ECN NO.	DESCRIPTION	DATE	APP'D
A/0	N/A	NEW DRAWNG	10/09/14'	Paul



PACKING MATERIAL		PACKING CAPACITY			
PART NAME	DIM.(mm)	PIN	PCS/RE	RE/BC	PCS/BC
REEL	φ330*(W+0.5)	03~06	500	10	5,000
CARTON	350*350*340	07~09	500	8	4,000
		10~15	500	6	3,000
		16~20	500	5	2,500

TOLERANCE	UNLESS OTHERWISE SPECIFIED	APPROVALS		DATE	 GTK UK LTD.	
		DRAWN	<i>Iwen Kong</i>	10/09/14'		PART NO. WTBM-XXD-SMH01-R DRAWING NO. WTBM-XXD-SMH01-R
		CHK'D	<i>Carler Shih</i>	10/09/14'	TITLE: WIRE TO BOARD HEADER FOR LATCHING PLUGS. 2.0MM PITCH. SMT	
		APP'D	<i>Paul Chen</i>	10/09/14'		
		UNITS mm	SCALE 1:1	SIZE: A4	REV. A/0	