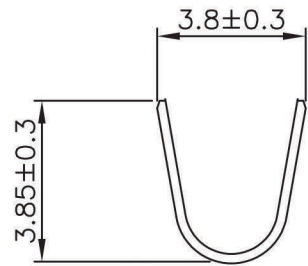


■ SPECIFICATIONS

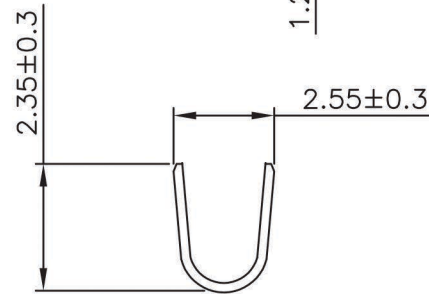
- Voltage Rating : 250V AC/DC
- Current Rating: 7A AC/DC
- Withstanding Voltage : 1500V AC/minute
- Insulation Resistance : 1,000MΩ min
- Temperature Range : - 25°C to + 85°C
- Contact Resistance : 20mΩ max

■ TERMINAL

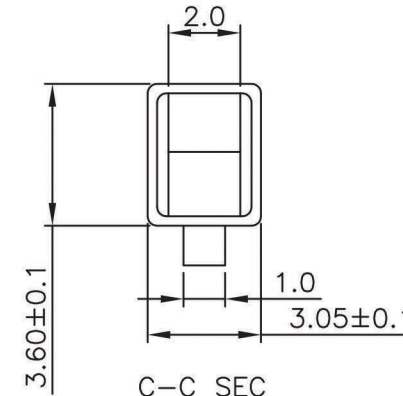
- Part No. : WTBC-CR-FTR-R
- Applicable Wires: AWG# 18 - 22
- Material : Phosphor. Bronze
- Finish : Tin Plated
- Thickness : 0.25mm
- Q' ty: 4000 pcs./Reel



A-A SEC





B-B SEC



C-C SEC

ROHS COMPLIANT

3.96mm Disconnectable crimp style Terminal			 GTK UK LTD.	TOLERANCE	
ECR	200308-002	2003/08/06		.0 ±0.3	.00 ±0.2
ECR	DG200311-001	2003/11/04	APPROVED BY	DATE	SCALE
			林陳鏢	2003/11/04	5:1
			CHECKED BY	UNIT	
			林勇生	mm	
			DRAWN BY	VER NO.	
LTR	REVISION RECORD	DATE	董叔平	D2	A4

WTBC-CR-FTR-R