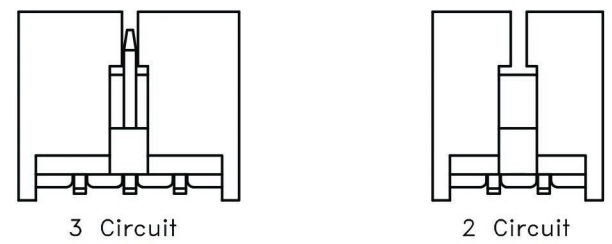
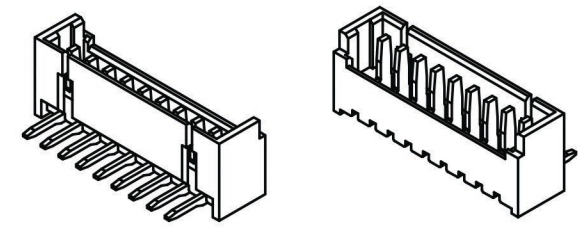
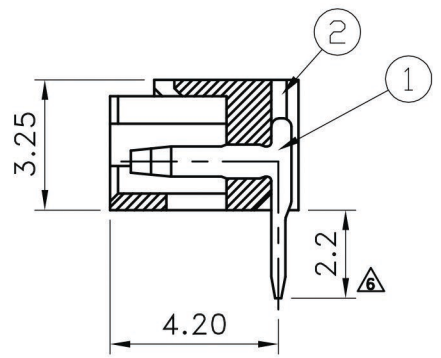
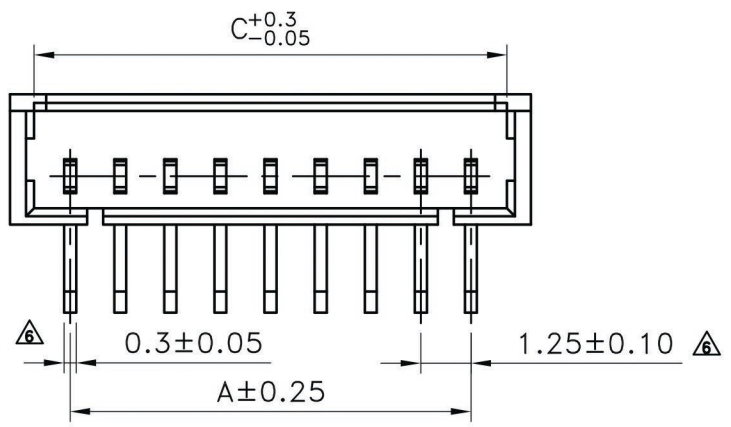
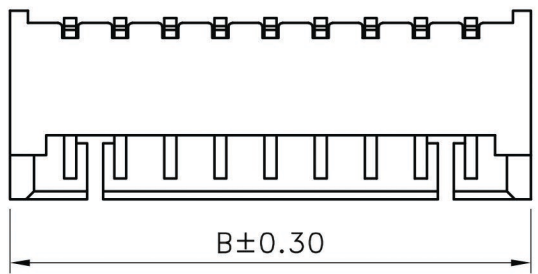
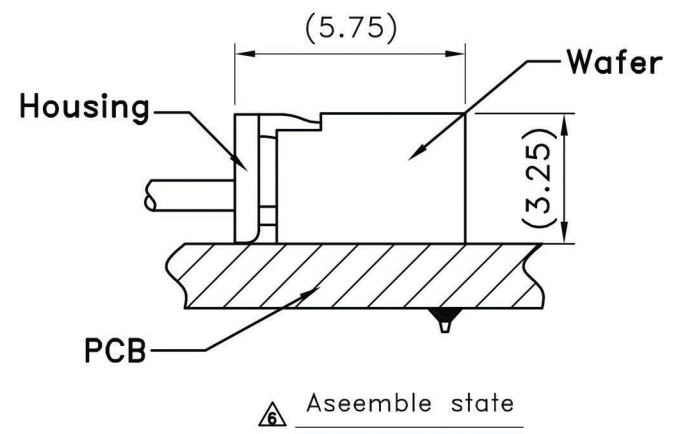


Recommended PCB Layout(Top View)



- SPECIFICATIONS**
- Current Rating : 1A AC/DC
  - Withstanding Voltage : 250V AC /minute
  - Insulation Resistance : 100MΩ min
  - Temperature Range : - 40℃ to + 85℃
  - Contact Resistance : 20mΩ max

- WAFER**
- Part No. : WTBB-xxS-TH1T-R
  - Poles : 2-15(DIP Type)
  - Material : 1.Contact : Brass, Tin Plated  
2.Housing : Nylon PA46 UL94V-0 ;Color:Nature
  - Q' ty : 1,000 pcs./PVC Box



Poles	Dimensions (mm)			Poles	Dimensions (mm)		
	A	B	C		A	B	C
2	1.25	4.25	3.05	9	10.00	13.00	11.80
3	2.50	5.50	4.30	10	11.25	14.25	13.05
4	3.75	6.75	5.55	11	12.50	15.50	14.30
5	5.00	8.00	6.80	12	13.75	16.75	15.55
6	6.25	9.25	8.05	13	15.00	18.00	16.80
7	7.50	10.50	9.30	14	16.25	19.25	18.05
8	8.75	11.75	10.55	15	17.50	20.50	19.30

	APPROVED BY	SCALE	UNIT	TOLERANCE	LTR	REVISION RECORD	NAME	DATE	LTR	REVISION RECORD	NAME	DATE
	張育瑞		mm	.0 ±0.30	△	DG 200509-001		05/09/02	△			
<b>PART NO</b> WTBB-xxS-TH1T-R 1.25mm wire-to-board header, through hole, right-angled	CHECKED BY	PROJ	VER NO.	.00 ±0.20	△	RoHS compliant		06/12/30	△			
	黃科源			.000 ±0.10	△	200807-006		08/07/03	△			
	DRAWN BY	DATE	SIZE	ANGLE	△	200811-002		08/11/03		CUSTOMER		
	劉怡萱	2011/04/06	A4	0° ±1°	△	200910-005	林暉	09/10/23				
				.0° ±	△	增加顏色說明	劉怡萱	11/04/06		Conforms to The RoHS Instruction		
				SHEET 1/1	△							