

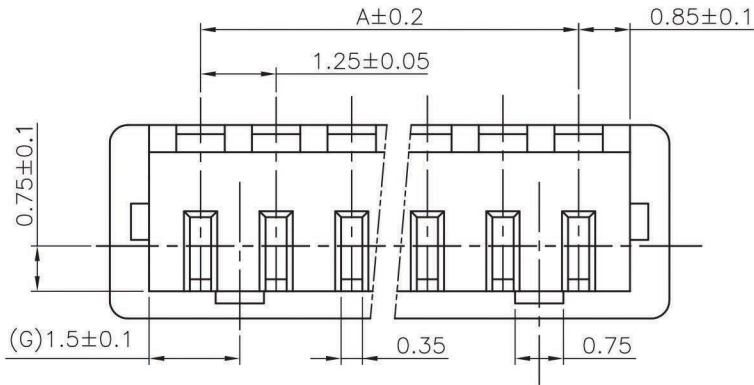
■ SPECIFICATIONS

- Voltage rating: 250V AC, DC
- Current rating: 1A, AC, DC
- Withstanding Voltage: 250V AC/minute
- Insulation resistance: 100M Ω min
- Temperature range: -40°C~+85°C
- Contact resistance: Initial value/10m Ω max
After environmental testing/20m Ω max

■ HOUSING

- Part No.: WTBB-xxS-CF3T-R
- Poles: 2-15
- Material: Nylon 66, UL94V-0 +5% glass fiber
- Q' ty: 1000pcs/bag

Poles	Dimension(mm)		
	A	B	C
2	1.25	4.25	2.95
3	2.50	5.50	4.20
4	3.75	6.75	5.45
5	5.00	8.00	6.70
6	6.25	9.25	7.95
7	7.50	10.50	9.20
8	8.75	11.75	10.45
9	10.00	13.00	11.70
10	11.25	14.25	12.95
11	12.50	15.50	14.20
12	13.75	16.75	15.45
13	15.00	18.00	16.70
14	16.25	19.25	17.95
15	17.50	20.50	19.20



1.25mm Disconnectable crimp style Housing



GTK UK LTD.

TOLERANCE

0 ±0.3
.0 ±0.2
.00 ±0.15
.000 ±0.10

PART NO

WTBB-xxS-CF3T-R

APPROVED BY

DATE

SCALE

2002/10/03

8:1

CHECKED BY

UNIT

mm



DRAWN BY

VER NO.

SIZE

B

A4

LTR

REVISION RECORD

DATE