

SPECIFICATIONS

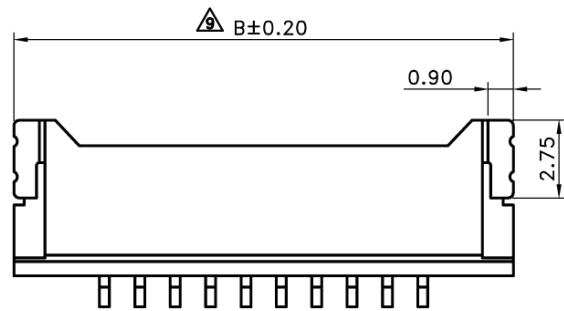
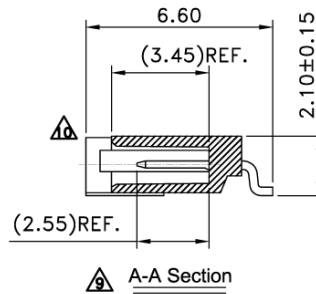
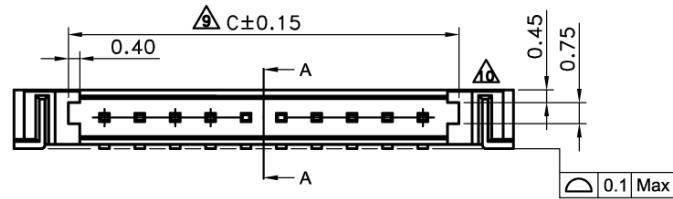
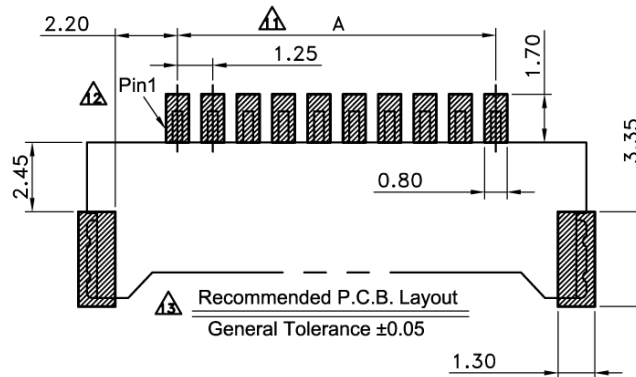
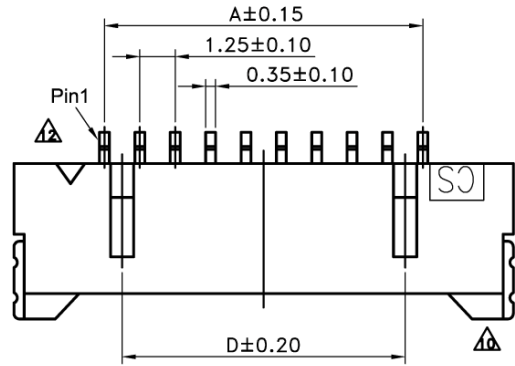
Voltage Rating: 125V AC/DC
 Current Rating: 1.0A AC/DC
 Withstanding voltage: 250V AC/minute
 Insulation Resistance: 100Megohm min
 Temperature Range: -25°C to +85°C
 Contact Resistance: 20milliohms max

MATERIAL

Housing: Nylon PA9T UL94V-0 (natural)
 Contact: Copper Alloy
 Plating: Tin or Gold over Nickel

PACKAGING

Tape and Reel



Poles	Dimensions			
	A	B	C	D
02	1.25	7.65	3.80	
03	2.50	8.90	5.05	
04	3.75	10.15	6.30	2.50
05	5.00	11.40	7.55	3.75
06	6.25	12.65	8.80	5.00
07	7.50	13.90	10.05	6.25
08	8.75	15.15	11.30	7.50
09	10.00	16.40	12.55	8.75
10	11.25	17.65	13.80	10.00
11	12.50	18.90	15.05	11.25
12	13.75	20.15	16.30	12.50
13	15.00	21.40	17.55	13.75
14	16.25	22.65	18.80	15.00
15	17.50	23.90	20.05	16.25
16	18.75	25.15	21.30	17.50
17	20.00	26.40	22.55	18.75
18	21.25	27.65	23.80	20.00
19	22.50	28.90	25.05	21.25
20	23.75	30.15	26.30	
21	25.00	31.40	27.55	
22	26.25	32.65	28.80	
23	27.50	33.90	30.05	
24	28.75	35.15	31.30	
25	30.00	36.40	32.55	22.50
26	31.25	37.65	33.80	
27	32.50	38.90	35.05	
28	33.75	40.15	36.30	
29	35.00	41.40	37.55	
30	36.25	42.65	38.80	

ORDER CODE:

WBPM-xxS-SMH1x-R

No Contacts:
02-30

Plating:
T - tin (standard)
G - gold



APPROVED BY	SCALE	UNIT	TOLERANCE	LTR	REVISION RECORD	NAME	DATE	LTR	REVISION RECORD	NAME	DATE
張育瑞		mm	.0 ±0.30	△	鍍層變更	林文泰	2010/06/21				
CHECKED BY	PROJ	VER NO.	.00 ±0.20	△	增加料號選項	吳弘文	2012/06/20				
周慈雲	⊕	a13	.000 ±0.10	△	產品外觀修正	吳弘文	2012/11/23				
DRAWN BY	DATE	SIZE	ANGLE		修正PCB Layout A尺寸	吳弘文	2013/06/20	CUSTOMER			
吳弘文	2016/03/24	A4	0° ±1°	△	增加Pin define 標示	吳弘文	2015/09/15				
			0° ±	△	表格D尺寸更正	吳弘文	2016/03/24	Conforms to The RoHS Instruction			
			SHEET	1/1							

PART NO WBPM-xxS-SMH1x-R
1.25mm Crimp Style Connectors