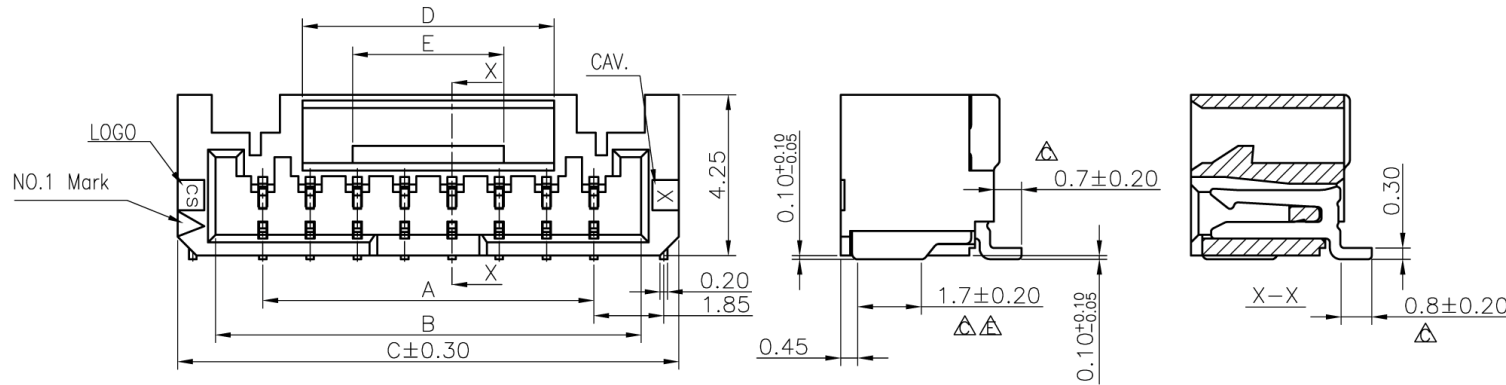
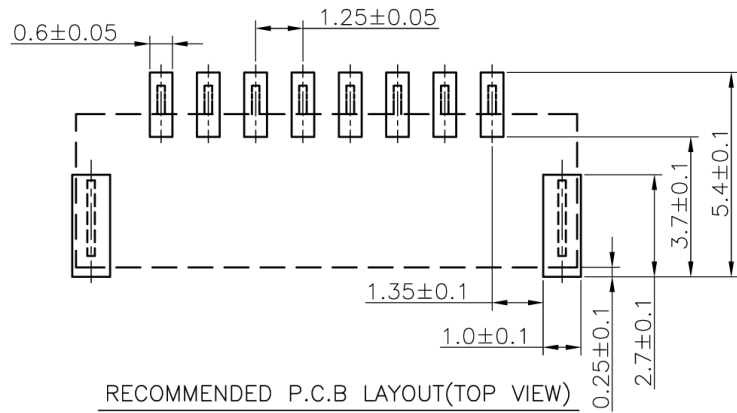


NOTES:

- 1. MATERIAL:
 - Housing: Glass Filled Nylon PA9T, UL94V-0
 - Natural colour
 - Contact: Copper Alloy, Tin plated
 - Nail: Copper Alloy, Tin plated
 - 2. PACKAGING:
 - 1500pcs/reel
 - 3. ORDER CODE:
 - WB1J-xxS-SMH1T-R**
- #poles: 02-15



Poles	A	B	C	D	E
02	1.25	3.75	5.75	2.10	0.75
03	2.50	5.00	7.00	3.40	1.30
04	3.75	6.25	8.25	4.65	2.10
05	5.00	7.50	9.50	6.65	4.00
06	6.25	8.75	10.75	8.60	6.00
07	7.50	10.00	12.00		
08	8.75	11.25	13.25		
09	10.00	12.50	14.50		
10	11.25	13.75	15.75		
11	12.50	15.00	17.00		
12	13.75	16.25	18.25		
13	15.00	17.50	19.50		
14	16.25	18.75	20.75		
15	17.50	20.00	22.00		



RECOMMENDED P.C.B LAYOUT(TOP VIEW)

X. ± 0.40	X.* ± 5.0*	UNITS: mm
.X ± 0.30	.X.* ± 2.0*	MATERIAL:
.XX ± 0.20	.XX.* ± 1.0*	SEE NOTE
.XXX ± 0.10	.XXX.* ± ---	FINISH:
SEE NOTE		APPD:
SEE NOTE		CHKD:
SEE NOTE		DR: sunquan 2012/06/15

NAME(INTENDED USE):		CUSTOMER: GTK UK LTD.	
PART NO.(INTENDED USE):		TITLE: PH1.25mm WTB CONNECTOR	
APPD:		DWG NO.: 020-0144-1289SR-XX	
CHKD:		SCALE SHEET REV. 5:1 1/1 /	
DR:			

THESE DRAWINGS AND SPECIFICATIONS ARE THE PROPERTY OF CHYAO SHIUNN ELECTRONIC CO., LTD. AND SHALL NOT BE REPRODUCED, COPIED OR USED IN ANY MANNER WITHOUT THE PRIOR WRITTEN CONSENT OF CHYAO SHIUNN ELECTRONIC CO., LTD.

ROHS COMPLIANT

