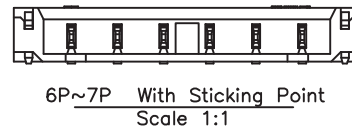
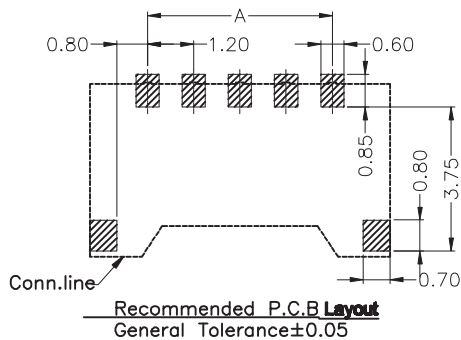
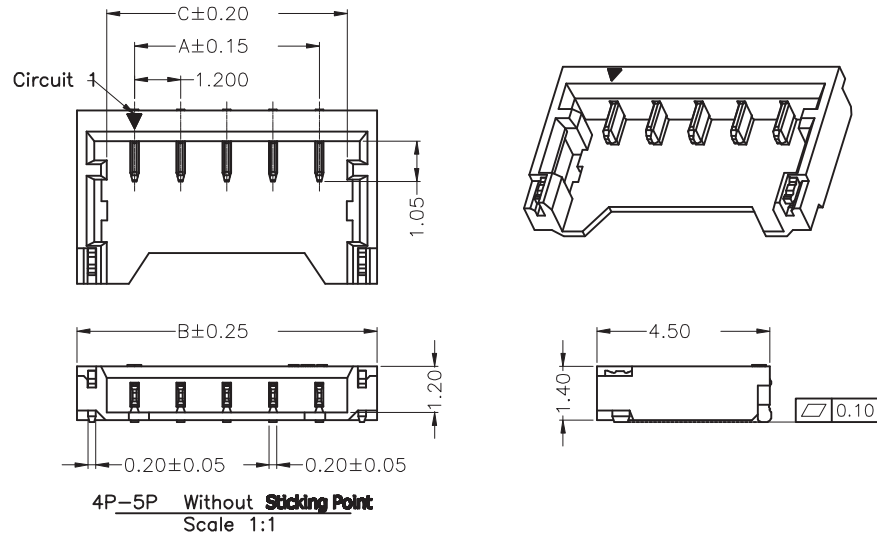


RoHS Compliant



Poles	Dimensions(mm)		
	A	B	C
04	3.60	6.60	5.04
05	4.80	7.80	6.24
06	6.00	9.00	7.44
07	7.20	10.20	8.64

Electrical

- Voltage Rating : 50V AC/DC
- Current Rating : 1.5A AC/DC
- Withstanding Voltage : 500V AC /minute
- Insulation Resistance : $\geq 100M\Omega$ min
- Temperature Range : - 25°C to + 85°C
- Contact Resistance : $\leq 20m\Omega$ max
- After Environmental Testing: $\leq 40m\Omega$
- Applicable Wire/Cable:AWG #28 to #30, OD:0.5-0.6mm

PCB Header

- Poles : 4,5,6,7pin
- Material and finish
- Insulator:PA,UL94V-0 (Black)
- Pin contacts:Phosphor bronze,Gold flash
- Solder tabs:Phosphor bronze,Matte Tin flash

Packing:Tape&Reel,SPQ:4000pcs/reel

	Signature	Update
Drawn/Revised By	Jack	November 11th,2015
Checked By	Mike	August 16th,2012
Approved By	Tom	August 16th,2012

	
Title	1.2mm(.047") pitch PCB Header R/A,SMT/SMD
Part No.	WB12-xxS-SMH1G-R



General Tolerance	Document No.	WB12-X
.X $\pm 0.25/010$	Customer Info	Smart Electronics
.XX $\pm 0.15/006$	Applicable for	Low profile devices
.XXX $\pm 0.10/004$	Unit	mm/inch
Angular: $\pm 1^\circ$	Page	1/1