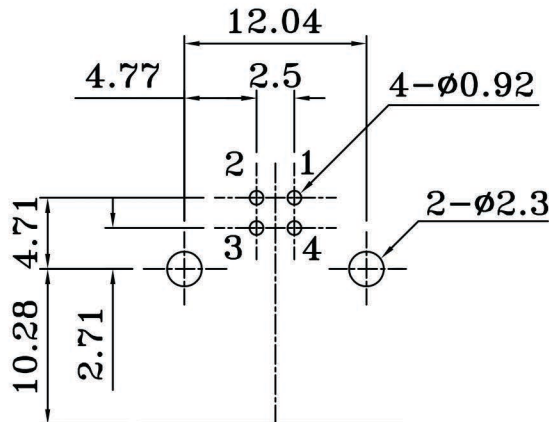


REV	ZONE	REVISION	DATE



PCB EDGE

(COMPONENT SIDE)  
PCB LAYOUT

NO.	NAME	MATERIAL	FINISH	REMARK	Q'TY
1	HOUSING	P.B.T. G.F.	BLACK/BLACK		1
2	PIN TERM.	PHOS. BRONZE T:0.25	GOLD/TIN PLATED	Gold:1~3 μm; NI:40~60 μm; TIN:120 μm (100% pure Tin of lead free plating)	4
3	SHELL	BRASS T:0.3	NICKEL PLATED	NI:2~3u	1

ROHS COMPLIANT



COMPUTER NO.			UNIT	SCALE	PART NAME	
APPD.	CKD.	DWG.	DATE	TOLERANCE	PART NO.	REV.
		TINA	17-10-01	±0.3	USBS-BT1-B-R	A

MODEL \_\_\_\_\_ PAGE 1 OF 1