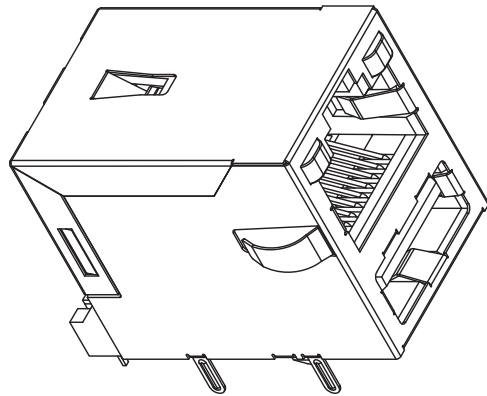
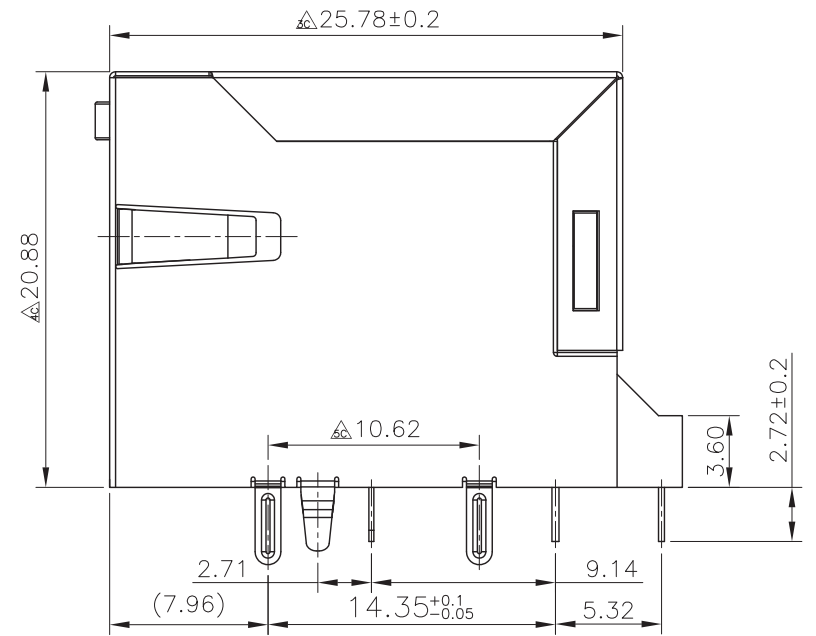
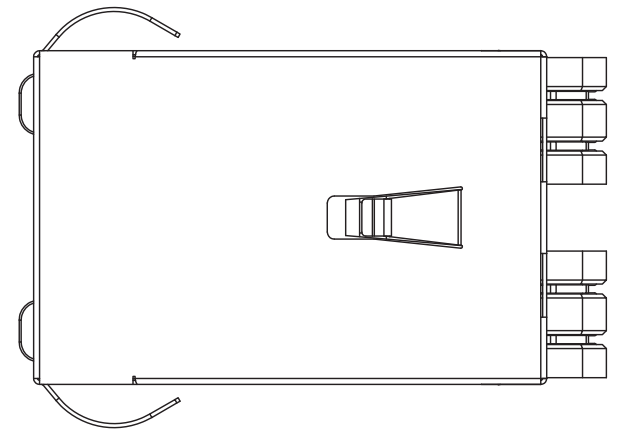
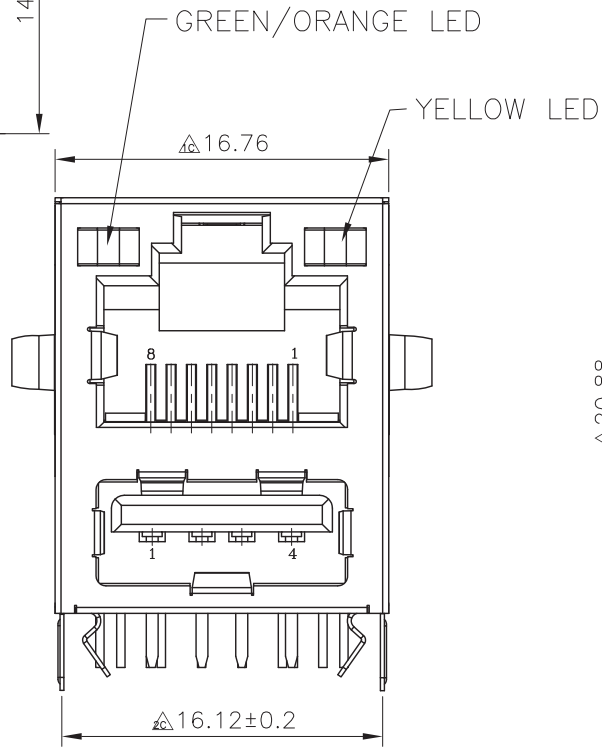



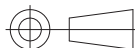
PCB LAYOUT/TOP VIEW

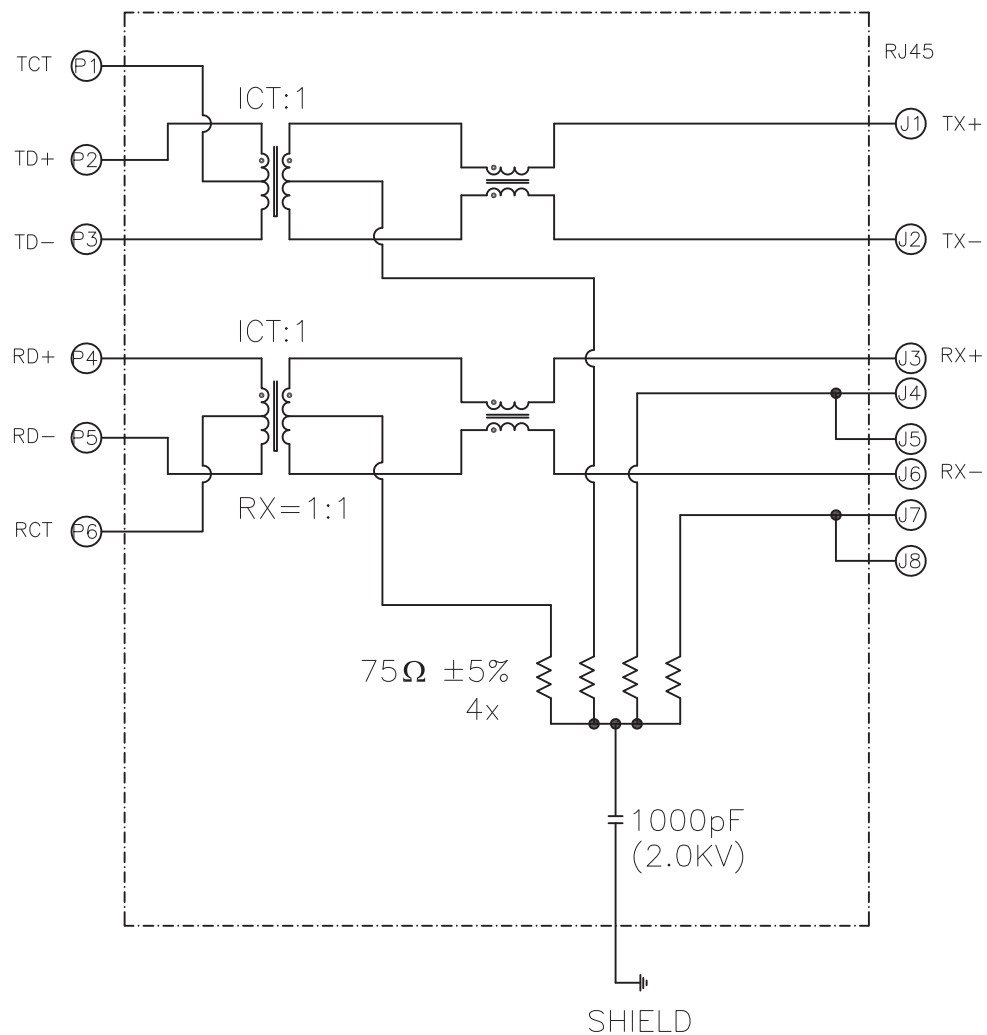


MATERIALS:
 HOUSING:ENGINEERING THERMOPLASTIC
 FLAMMABILITY RATING UL 94V-0.
 CONTACTS:PHOSPHOR BRONZE
 PLATING:GOLD PLATING OVER NICKEL IN CONTACT
 COLOR: BLACK
 ※凡標註△記號者,為品管檢驗之尺寸



RoHS COMPLIANT


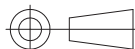
設計DR. Wing 2007-12-06	核准APPD. Jerry 2007-12-06	容許公差 .XXX ±0.10 .XX ±0.25 .X ±0.38 ANG ±0.50 ±3°	TOLERANCE	品名 ARTICLE RJ45 Over Single USB
版本說明 REVISION NOTE		圖號 DWG NO. USB-D-RJAT1-R		單位 UNIT mm
				比例SCALE 3/1
				張數SHEET 1/1
				版本REV. A



ELECTRICAL CHARACTERISTICS @ 25° C

TRANSFORMER	ICT: 1
TURN RATIO	ICT: 1
TX	ICT: 1
RX	ICT: 1
OCL @100KHz/100mVRMS	
8mA DC BLAS	350uH MIN
INS. LOSS	
1MHz TO 100MHz	-1.0dB MAX
RET.LOSS(MIN)	
1MHz-30MHz	-18dB
30MHz-60MHz	-18+20LOG(F/30MHz)dB
60MHz-80MHz	-12dB
CROSS TALK (TX - RX)	
500KHz-100MHz	-35dB MIN
CM TO CM REJ	
100KHz-100MHz	-30dB MIN
CM TO DM REJ	
100KHz-100MHz	-40dB MIN
HIPOT (Isolation voltage):	1500Vums

RoHS COMPLIANT

設計DR. Wing 2007-12-06	核准APP. Jerry 2007-12-06	容許公差 .XXX ±0.10 .XX ±0.25 .X ±0.38 X ±0.50 ANG ±3°	TOLERANCE	品名 ARTICLE RJ45 Over Single USB
版本說明 REVISION NOTE		圖號 DWG NO. USBD-RJAT1-R		單位 UNIT mm
 GTK UK LTD.			比例SCALE 3/1	張數SHEET 1/1
			版本REV. A	