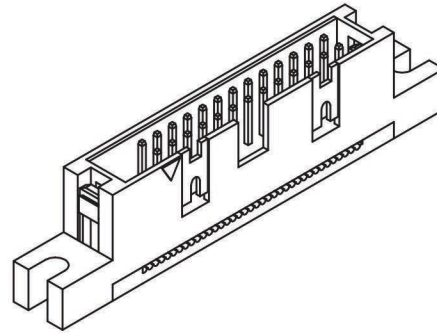
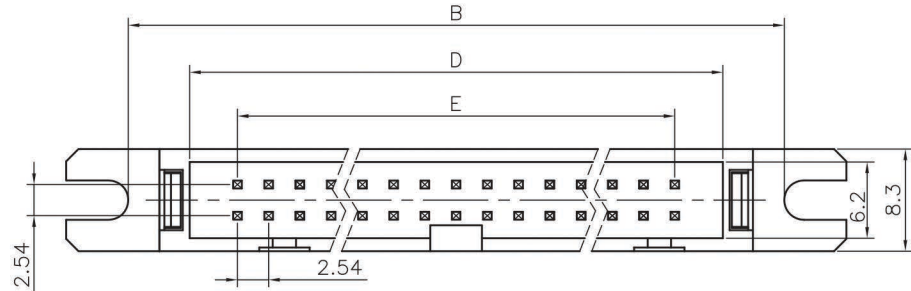


REV.	SPECIFICATION	ECN NO.	APPD.
A5		1/27'07	



(A5)

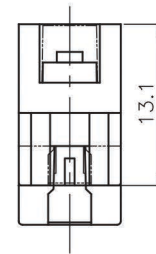
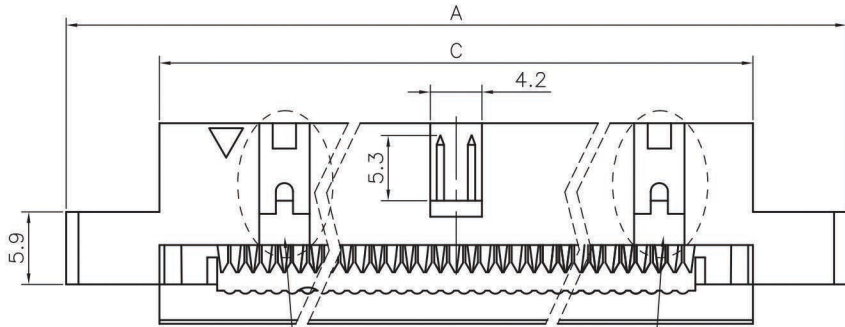
Material:

Housing: 30% Glass filled PBT UL94V-0, Grey
 Contacts: Brass, selective gold plated
 Strain Relief: 30% Glass filled PBT UL94V-0.

Electrical Characteristics:

Current Rating: 1AMP.
 Insulator Resistance: 5000MΩ min. at DC 500V.
 Contact Resistance: 20mΩ max. at DC 100mA.
 Operating Temperature: -55°C ~+105°C .

***RoHS Compliant**



Ordering information:

SCxxT1-xx-R

No. of positions (10 - 64) Blank = No strain relief
 SR = With strain relief

10,14,16P Without this organization

Strain Relief

Position	Dimension				
	A	B	C	D	E
10	38.00	27.94	22.98	17.93	10.16
14	43.08	33.02	28.10	22.93	15.24
16	45.70	35.56	30.64	25.55	17.76
20	50.70	40.64	35.70	30.56	22.86
26	58.26	48.26	43.26	38.20	30.48
30	63.34	53.34	48.44	43.40	35.56
34	68.40	58.42	53.28	48.30	40.64
40	76.14	66.04	60.96	56.06	48.26
50	88.82	78.74	73.72	68.70	60.96
60	101.38	91.44	86.44	81.34	73.66
64	106.80	96.52	91.46	86.43	78.74

Tolerances	Drawn No.	3016D01001		Title:	
x = ±0.5	Projection			IDC plug 2.54mm with mounting ears	
.x = ±0.25	Unit	mm	Scale		1:1
.xx = ±0.15	Drawn By	Michael			

GTK UK LTD.			
P/N: SPxxT1-R			
SHEET	1/1	Ver.No.	A5