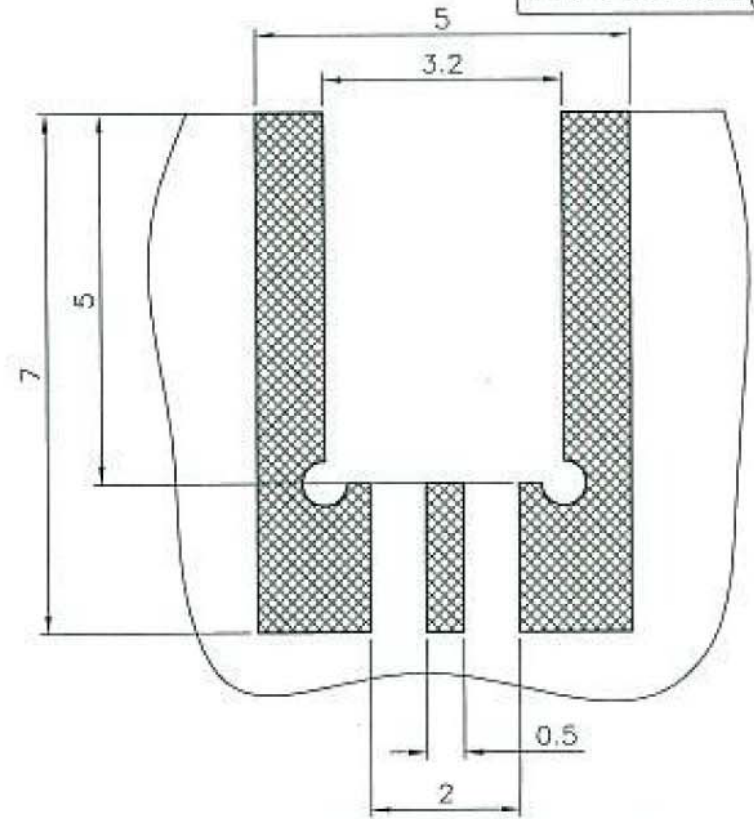
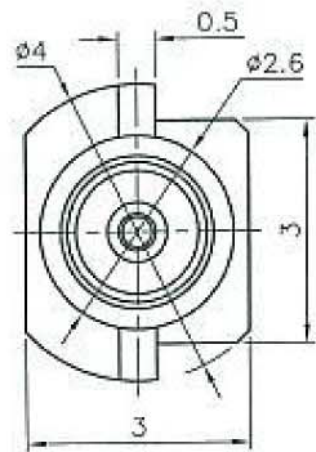
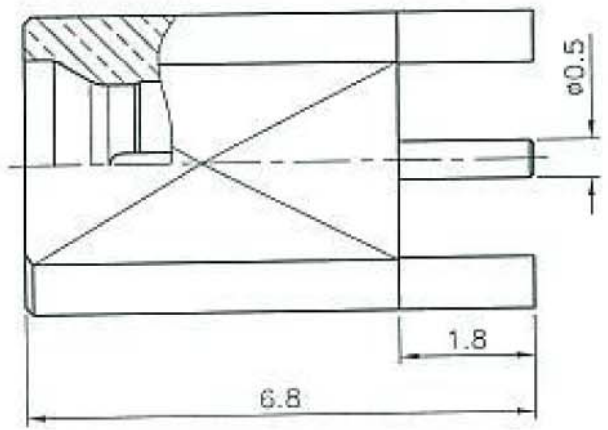


FOR CUSTOMER(WEB)

ISS		SYMBOL		REVISIONS	
				DESCRIPTION	DATE



RECOMMENDED MOUNTING PATTERN
(建議安裝模型)

- PATTERN
- LAND(FREE OF SOLDER MASK)

RoHS COMPLIANT

- NOTES: FINISH (PLATING THICKNESS IN MICRO-INCHES)
- BRASS PER QQ-B-626
 - GOLD PL 5 MIN OVER ELECTROLESS NICKEL PL 50 THICK OVER COPPER PL 40 THICK
 - TEFLON MIL-P-19468
 - BERYLLIUM COPPER PER QQ-C-530

DIMENSIONS ARE IN MILLIMETERS			
UNLESS OTHERWISE SPECIFIED TOLERANCES (一般公差)			
0.5~6	=	±0.2	
>6~30	=	±0.4	
>30~120	=	±0.6	
>120~315	=	±1	
>315~1000	=	±1.6	
ANGLES(角度) = ±5°			

PART NO.	
APPROVED	DATE
<i>Jay</i>	05/27/11'
CHECKED	DATE
<i>Jay</i>	05/27/11'
DRAWN	DATE
<i>A. Lewis</i>	05/27/11'

gtk GTK UK LTD.	
TITLE	SMPM SMT END LAUNCH PLUG (FULL DETENT)
DRAWING NO.	SMPM-MLES-GG15-R
FILE NO.	

NO.	DESCRIPTION	MATERIAL	FINISH	QTY	DRAWING NO.	SCALE	10/1	ISSUE	A2
	CONTACT PIN		NOTE 4	NOTE 2					
	INSULATOR		NOTE 3	WHITE					
	BODY		NOTE 1	NOTE 2					