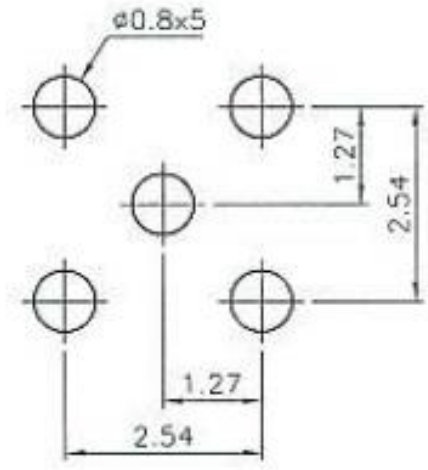
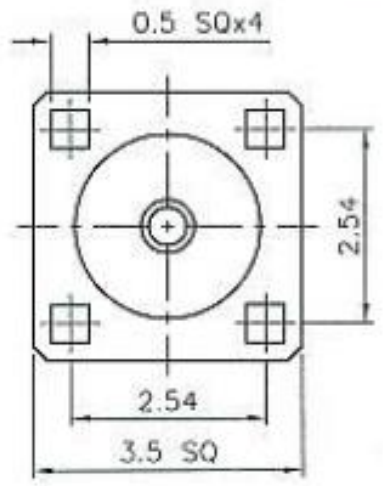
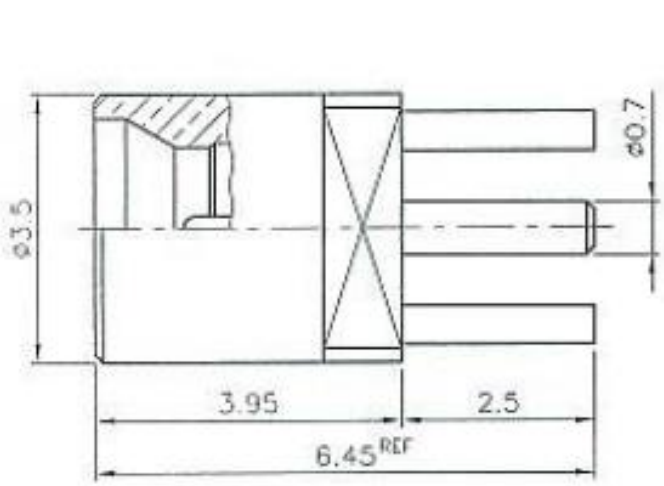


FOR CUSTOMER


REVISONS		DESCRIPTION\DATE
ISS	SYMBOL	
A1		更新 TITLE \05/08/12'



P.C.B. LAYOUT

- NOTES: FINISH (PLATING THICKNESS IN MICRO-INCHES)
1. BRASS PER QQ-B-626
 2. GOLD PL 3 MIN OVER NICKEL PL 70 MIN THICK OVER COPPER STRIKE
 3. BERYLLIUM COPPER PER QQ-C-530
 4. NICKEL PL 70 MIN THICK OVER COPPER STRIKE

RoHS COMPLIANT

					DIMENSIONS ARE IN MILLIMETERS		PART NO.		
					UNLESS OTHERWISE SPECIFIED TOLERANCES (-公差) 0.5~6 = ±0.2 >6~30 = ±0.4 >30~120 = ±0.6 >120~315 = ±1 >315~1000 = ±1.6 ANGLES(角度) = ±5'		APPROVED DATE		 GTK UK Ltd TITLE SMPM PCB MOUNT PLUG (Full Detent) DRAWING NO. SMPM-ML2T-NG15-R FILE NO.
							05/08/12' (Signature)		
							CHECKED DATE 05/08/12' (Signature)		
							DRAWN DATE 05/08/12' P.illy		
CONTACT PIN	NOTE 3	NOTE 2			SCALE	10/1	ISSUE	A2	
INSULATOR	PTFE	WHITE							
BODY	NOTE 1	NOTE 4							
NO	DESCRIPTION	MATERIAL	FINISH	Q'TY	DRAWING NO.				