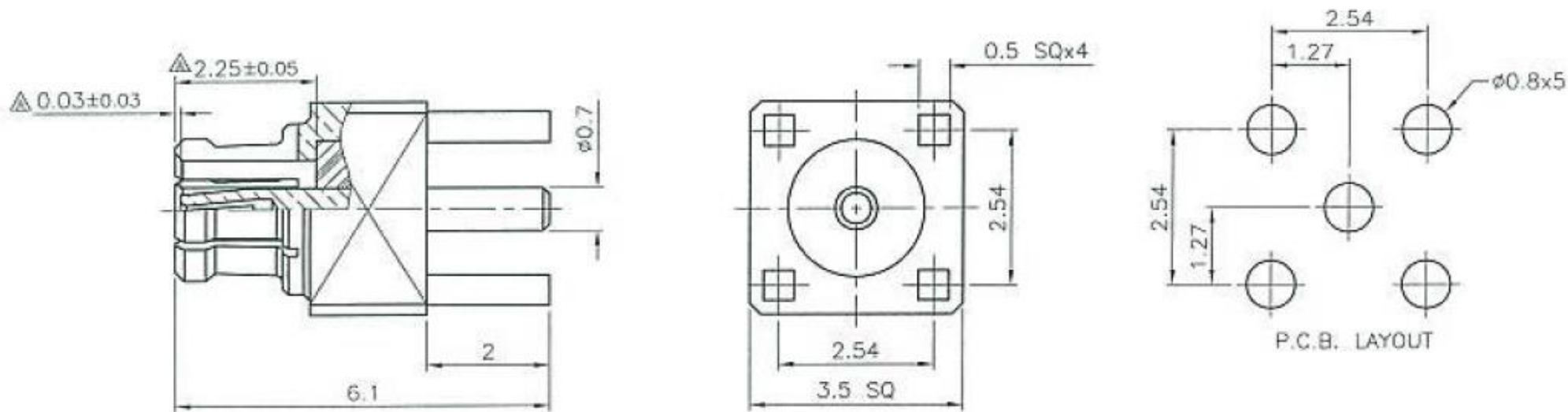



FOR CUSTOMER

REVISIONS		
ISS	SYMBOL	DESCRIPTION \ DATE
A3	△	新增 2.25±0.05 , 0.03±0.03 \ 11/26/10'



- NOTES: FINISH (PLATING THICKNESS IN MICRO-INCHES)
1. BERYLLIUM COPPER PER QQ-C-530
 2. GOLD PL 3 MIN OVER NICKEL PL 70 MIN THICK OVER COPPER STRIKE
 3. TEFLON MIL-P-19468
 4. PHOSPHOR BRONZE PER DQ-B-750

RoHS COMPLIANT

					DIMENSIONS ARE IN MILLIMETERS		PART NO.		 GTK UK Ltd			
					UNLESS OTHERWISE SPECIFIED TOLERANCES (一般公差)		APPROVED	DATE		TITLE		
					0.5~5 = ±0.2	>6~30 = ±0.4	<i>Mark</i>	11/26/10'		SMPM PCB MOUNT JACK		
CONTACT PIN	NOTE 1	NOTE 2			>30~120 = ±0.6	>120~315 = ±1	CHECKED	DATE		DRAWING NO.		
INSULATOR	NOTE 3	WHITE			>315~1000 = ±1.6	ANGLES(角度) = ±5'	<i>Allen</i>	11/26/10'		SMPM-J2T-GG15-R		
BODY	NOTE 4	NOTE 2					DRAWN	DATE	FILE NO.			
NO.	DESCRIPTION	MATERIAL	FINISH	Q'TY	DRAWING NO.	SCALE	10/1	ISSUE	A3	<i>Allen</i>	11/26/10'	