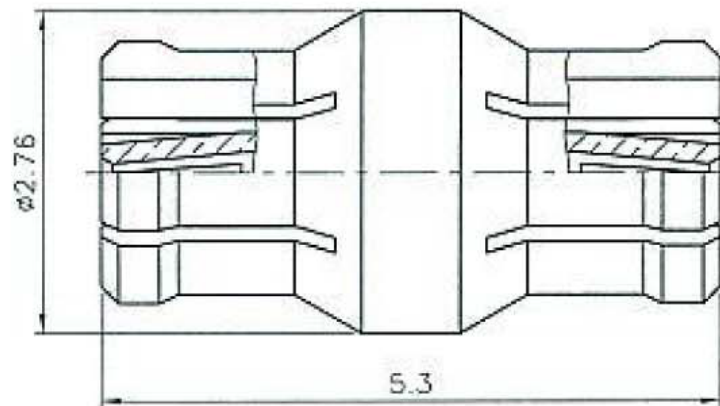




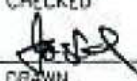
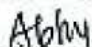
FOR CUSTOMER(WEB)

REVISIONS		
ISS	SYMBOL	DESCRIPTION\DATE



NOTES: FINISH (PLATING THICKNESS IN MICRO-INCHES)
 1. BERYLLIUM COPPER PER QQ-C-530
 2. GOLD PL 5 MIN OVER ELECTROLESS NICKEL
 PL 50 MIN THICK OVER COPPER PL 50 MIN THICK

RoHS COMPLIANT

					DIMENSIONS ARE IN MILLIMETERS			PART NO.		 GTK UK LTD.	
					UNLESS OTHERWISE SPECIFIED TOLERANCES (一般公差)			APPROVED	DATE		
					0.5~6	= ±0.2			07/05/13'	SMPM JACK TO JACK BULLET ADAPTOR	
					>6~30	= ±0.4			CHECKED		DATE
					>30~120	= ±0.6			07/05/13'	DRAWING NO.	
					>120~315	= ±1			DRAWN	DATE	SMPM-AFF2-GG15-R
					>315~1000	= ±1.6			07/05/13'	FILE NO.	
					ANGLES(角度) = ±5'						
CONTACT PIN	NOTE 1	NOTE 2			SCALE	15/1	ISSUE	A2			
INSULATOR	PTFE	WHITE									
BODY	NOTE 1	NOTE 2									
NO.	DESCRIPTION	MATERIAL	FINISH	Q'TY	DRAWING NO.						