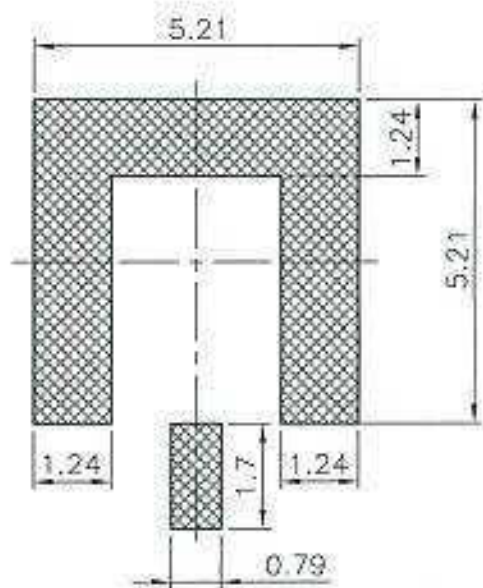
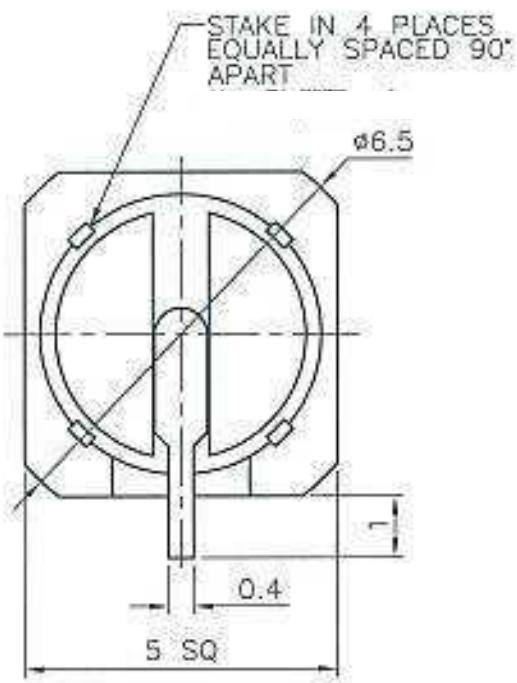
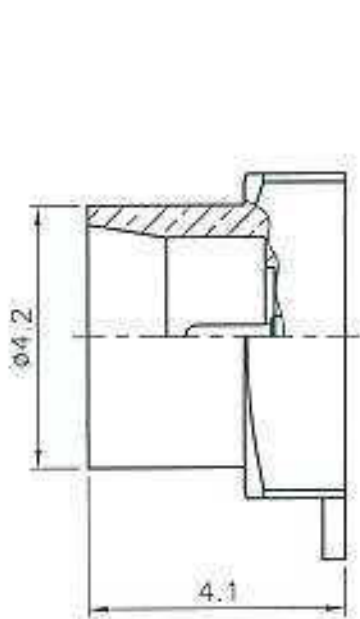


FOR CUSTOMER

REVISIONS


GS	SYMBOL	DESCRIPTION/DATE



RECOMMENDED SOLDERING PADS

- NOTES: FINISH (PLATING THICKNESS IN MICRO-INCHES)
1. BRASS PER QQ-B-626
 2. GOLD PL 3 MIN OVER NICKEL PL 70 MIN THICK OVER COPPER STRIKE
 3. GOLD PL 30 MIN OVER NICKEL PL 70 MIN THICK OVER COPPER STRIKE

RoHS COMPLIANT

					DIMENSIONS ARE IN MILLIMETERS				PART NO.		 GTK UK LTD.	
					UNLESS OTHERWISE SPECIFIED TOLERANCES (-公差)				APPROVED	DATE		
CONTACT PIN	NOTE 1	NOTE 3			0.5~5 = ± 0.2				<i>Jay</i>	07/13/11	SMP SMT PLUG (SMOOTH BORE)	
INSULATOR	LCP+30%GF	BLACK			>5~30 = ± 0.4				<i>Jay</i>	07/13/11		
BODY	NOTE 1	NOTE 2			>30~120 = ± 0.6							
					>120~315 = ± 1							
					>315~1000 = ± 1.6							
					ANGLES(角度) = $\pm 5^\circ$							
NO.	DESCRIPTION	MATERIAL	FINISH	Q'TY	DRAWING NO.	SCALE	B/1	ISSUE	A1	<i>Alicia</i>	07/13/11	DRAWING NO. SMP-MP2S-GG25-R