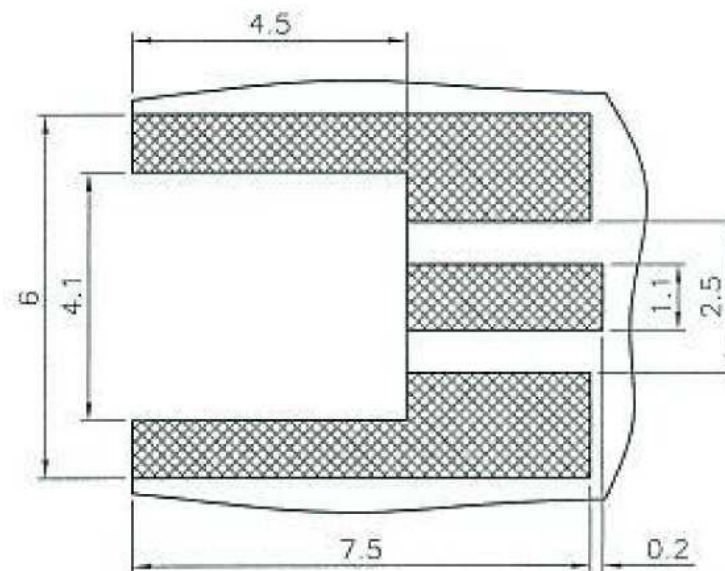
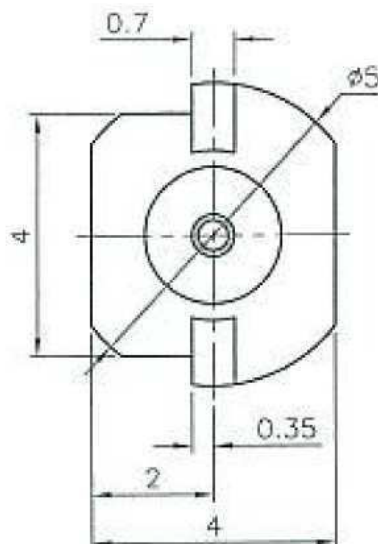
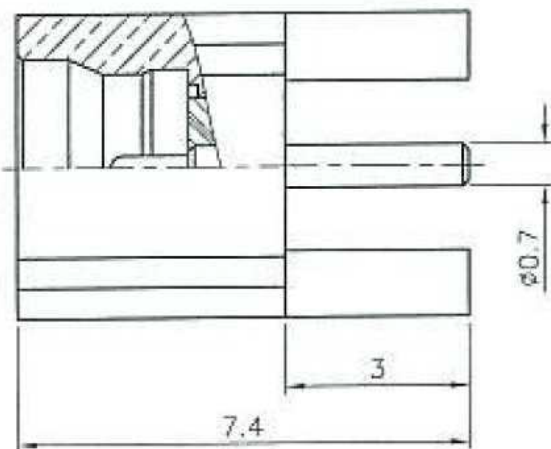


FOR CUSTOMER

REVISIONS	
ISS	SYMBOL DESCRIPTION\DATE



P.C.B. LAYOUT




PATTERN



LAND(FREE OF SOLDER MASK)

- NOTES: FINISH (PLATING THICKNESS IN MICRO-INCHES)
1. BRASS PER QQ-B-626
 2. GOLD PL 3 MIN OVER NICKEL PL 70 MIN THICK OVER COPPER STRIKE
 3. GOLD PL 30 MIN OVER NICKEL PL 70 MIN THICK OVER COPPER STRIKE
 4. TEFLON MIL-P-19468
 5. BERYLLIUM COPPER PER QQ-C-530

RoHS COMPLIANT

					DIMENSIONS ARE IN MILLIMETERS				PART NO.		 GTK UK LTD. TITLE SMP SMT END LAUNCH PLUG (Limited Detent) DRAWING NO. SMP-MDES-GG25-R	
					UNLESS OTHERWISE SPECIFIED TOLERANCES (一般公差)				APPROVED	DATE		
CONTACT PIN	NOTE 5	NOTE 3			0.5~6 = ±0.2				<i>Kent</i>	12/03/10		
INSULATOR	NOTE 4	WHITE			>6~30 = ±0.4							
BODY	NOTE 1	NOTE 2			>30~120 = ±0.6				<i>Kent</i>	12/03/10		
ND.	DESCRIPTION	MATERIAL	FINISH	QTY	DRAWING NO.	SCALE	8/1	ISSUE	A4	DRAWN	DATE	
									<i>Abbey</i>	12/03/10		