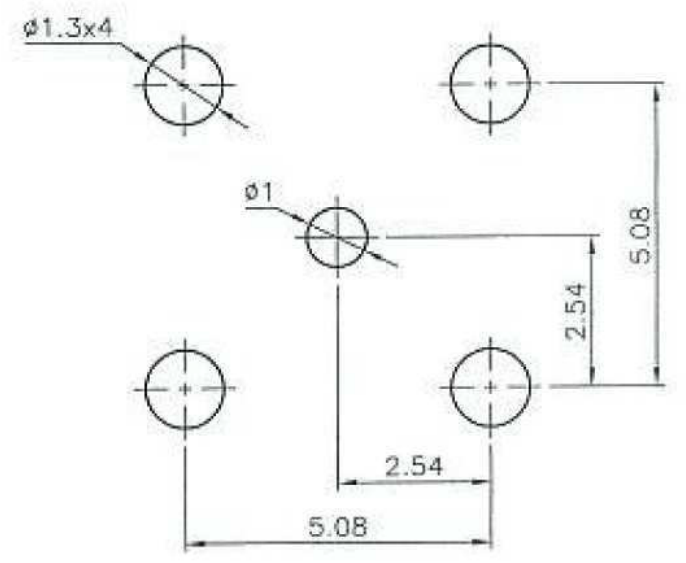
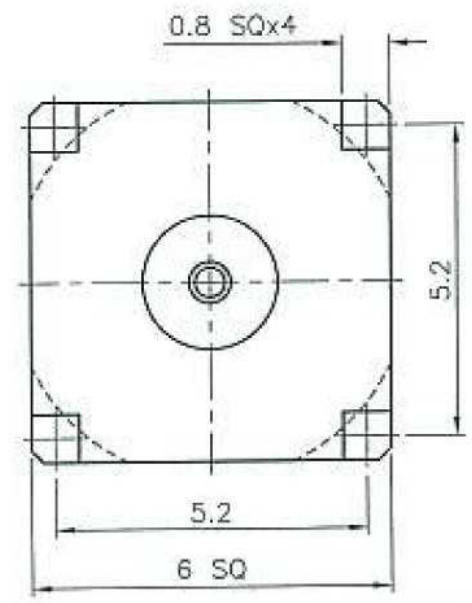
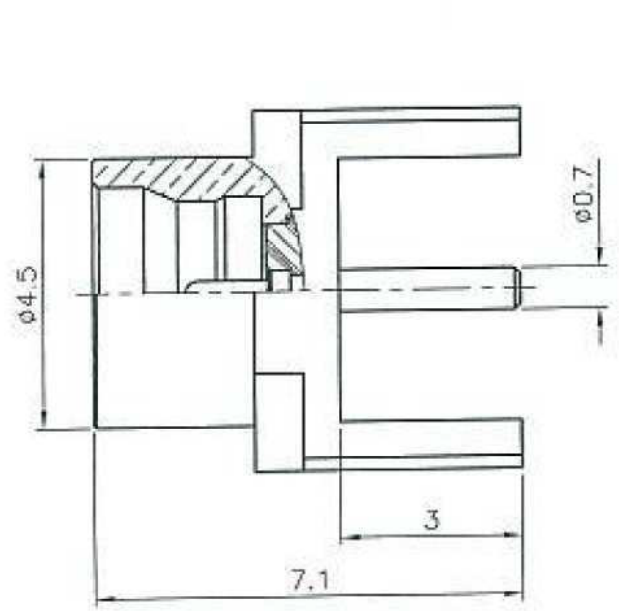


FOR CUSTOMER


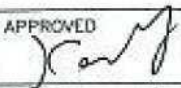
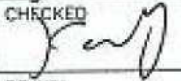

REVISIONS		DESCRIPTION\DATE
ISS	SYMBOL	



P.C.B. LAYOUT

- NOTES: FINISH (PLATING THICKNESS IN MICRO-INCHES)
1. BRASS PER QQ-B-626
 2. GOLD PL 3 MIN OVER NICKEL PL 70 MIN THICK OVER COPPER STRIKE
 3. GOLD PL 30 MIN OVER NICKEL PL 70 MIN THICK OVER COPPER STRIKE
 4. TEFLON MIL-P-19468
 5. BERYLLIUM COPPER PER QQ-C-530

RoHS COMPLIANT

					DIMENSIONS ARE IN MILLIMETERS				PART NO.		 GTK UK LTD.		
					UNLESS OTHERWISE SPECIFIED TOLERANCES (一般公差)				APPROVED	DATE			TITLE
					0.5~5 = ±0.2					12/03/10	SMP PCB MOUNT PLUG (Limited Detent)		
					>5~30 = ±0.4						CHECKED	DATE	DRAWING NO.
					>30~120 = ±0.6							12/03/10	SMP-MD2T-GG25-R
					>120~315 = ±1				DRAWN	DATE			
					>315~1000 = ±1.6								
					ANGLES(角度) = ±5°								
CONTACT PIN	NOTE 5	NOTE 3			SCALE	8/1	ISSUE	A2					
INSULATOR	NOTE 4	WHITE											
BODY	NOTE 1	NOTE 2											
NO.	DESCRIPTION	MATERIAL	FINISH	Q'TY	DRAWING NO.								