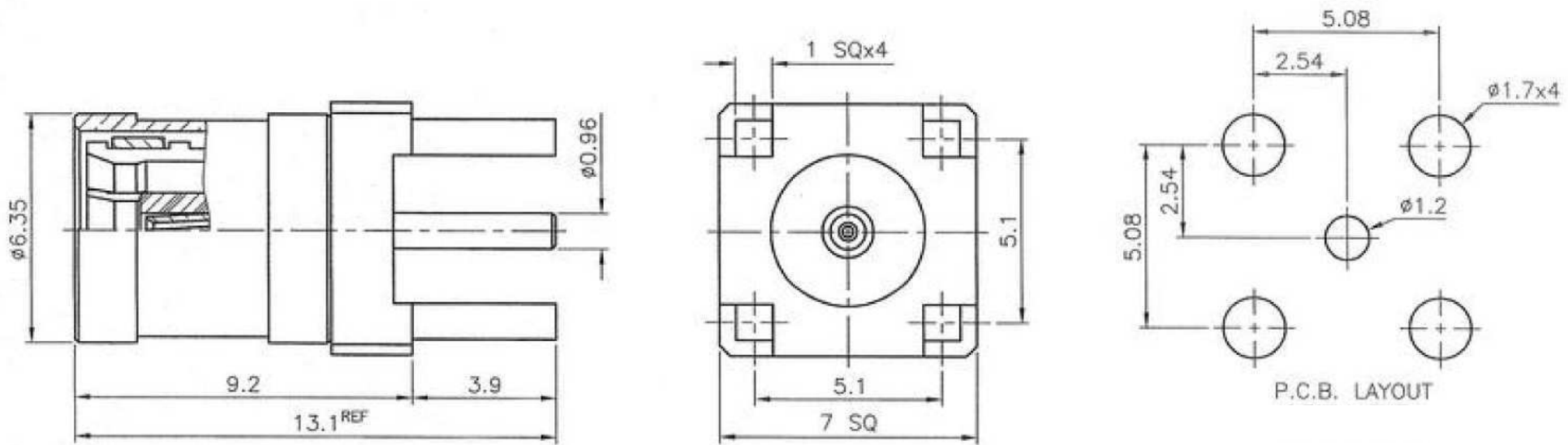



REMARK: RoHS COMPLIANT

FOR CUSTOMER



- NOTES: FINISH (PLATING THICKNESS IN MICRO-INCHES)
1. BRASS PER QQ-B-626
  2. GOLD PL 3 MIN OVER NICKEL PL 70 MIN THICK OVER COPPER STRIKE
  3. GOLD PL 30 MIN OVER NICKEL PL 70 MIN THICK OVER COPPER STRIKE
  4. TEFLON MIL-P-19468
  5. BERYLLIUM COPPER PER QQ-C-530

					DIMENSIONS ARE IN MILLIMETERS				PART NO.		 <b>GTK UK LTD.</b>	
					UNLESS OTHERWISE SPECIFIED TOLERANCES (一般公差)				APPROVED	DATE		
CONTACT PIN	NOTE 5	NOTE 3			0.5~6 = ±0.2				<i>[Signature]</i>	08/07/06'	TITLE	
INSULATOR	NOTE 4	WHITE			>6~30 = ±0.4				<i>[Signature]</i>	08/07/06'	SMB PCB MOUNT PLUG	
SHELL	NOTE 1	NOTE 2			>30~120 = ±0.6				<i>[Signature]</i>	08/07/06'	DRAWING NO.	
C RING	NOTE 5	NONE			>120~315 = ±1				<i>[Signature]</i>	08/07/06'	SMB-M2T-GG25-R	
BODY	NOTE 1	NOTE 2			>315~1000 = ±1.6				<i>[Signature]</i>	08/07/06'		
NO.	DESCRIPTION	MATERIAL	FINISH	Q'TY	DRAWING NO.	SCALE	6/1	ISSUE	A1			