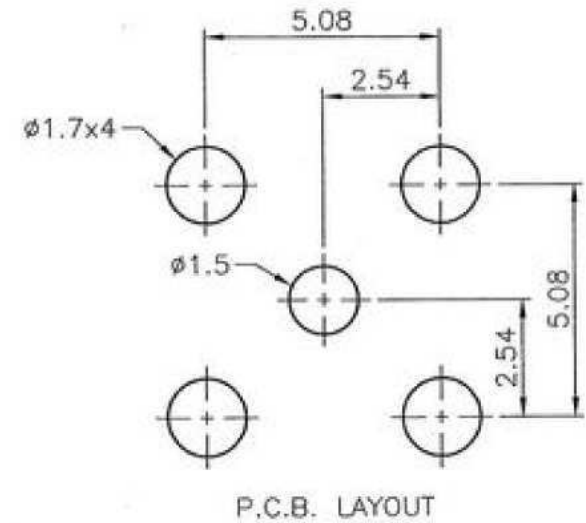
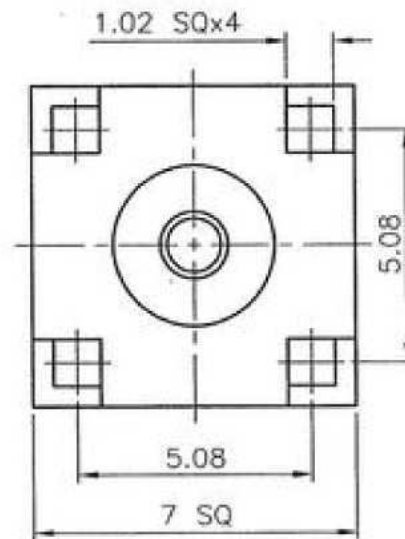
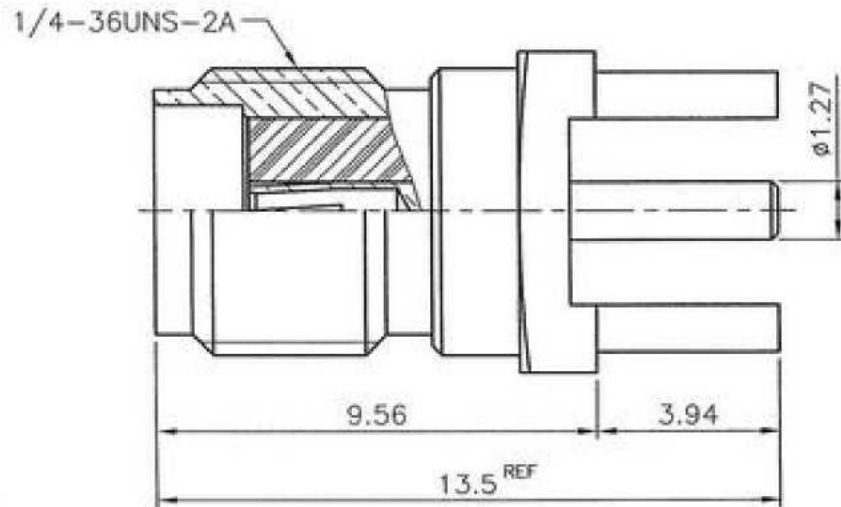


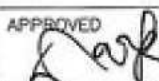


REMARK: RoHS COMPLIANT

FOR CUSTOMER



NOTES: FINISH (PLATING THICKNESS IN MICRO-INCHES)

1. BRASS PER QQ-B-626
2. GOLD PL 3 MIN THICK OVER NICKEL PL 70 MIN THICK OVER NICKEL STRIKE
3. GOLD PL 30 MIN THICK OVER NICKEL PL 70 MIN THICK OVER NICKEL STRIKE
4. TEFLON MIL-P-19468
5. BERYLLIUM COPPER PER QQ-C-530

					DIMENSIONS ARE IN MILLIMETERS			PART NO.			
					UNLESS OTHERWISE SPECIFIED TOLERANCES (一般公差) 0.5~6 = ±0.2 >6~30 = ±0.4 >30~120 = ±0.6 >120~315 = ±1 >315~1000 = ±1.6 ANGLES(角度) = ±5°			APPROVED		DATE	TITLE
										08/17/06'	
								CHECKED		DATE	DRAWING NO.
										08/17/06'	
					DRAWN		DATE				
							08/17/06'				
NO.	DESCRIPTION	MATERIAL	FINISH	Q'TY	DRAWING NO.	SCALE	6/1	ISSUE	A1		
	CONTACT PIN		NOTE 5	NOTE 3							
	INSULATOR		NOTE 4	WHITE							
	BODY		NOTE 1	NOTE 2							

gtk GTK UK LTD.

SMA PCB MOUNT JACK

SMA-J2T-GG25-R