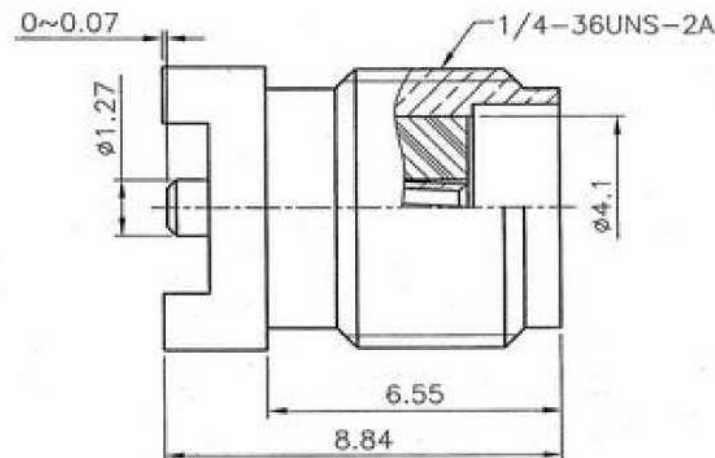
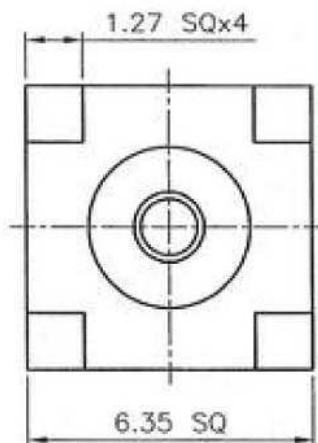
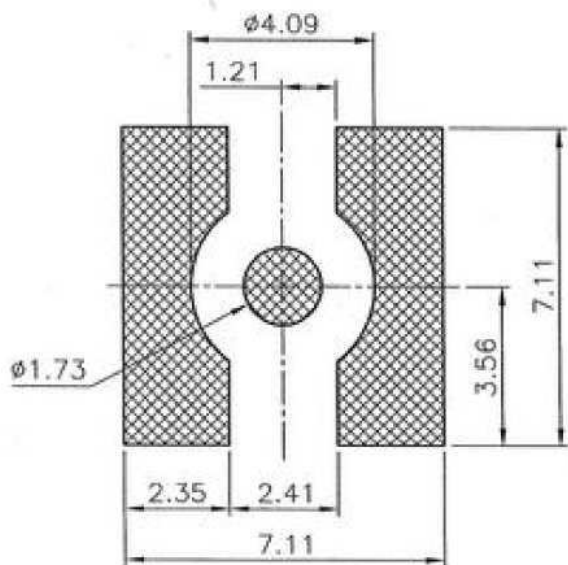


REMARK: RoHS COMPLIANT


FOR CUSTOMER



RECOMMENDED
SOLDERING PADS

NOTES: FINISH (PLATING THICKNESS IN MICRO-INCHES)

1. BRASS PER QQ-B-626
2. GOLD PL 3 MIN THICK OVER NICKEL PL 70 MIN THICK OVER NICKEL STRIKE
3. GOLD PL 30 MIN THICK OVER NICKEL PL 70 MIN THICK OVER NICKEL STRIKE
4. TEFLON MIL-P-19468
5. BERYLLIUM COPPER PER QQ-C-530

					DIMENSIONS ARE IN MILLIMETERS		PART NO.	
					UNLESS OTHERWISE SPECIFIED TOLERANCES (一般公差)		APPROVED	DATE
							<i>[Signature]</i>	05/20/08'
					0.5~6 = ±0.2 >6~30 = ±0.4 >30~120 = ±0.6 >120~315 = ±1 >315~1000 = ±1.6 ANGLES(角度) = ±5°		CHECKED	DATE
							<i>[Signature]</i>	05/20/08'
CONTACT PIN	NOTE 5	NOTE 3			SCALE 6/1 ISSUE A1		DRAWN	DATE
INSULATOR	NOTE 4	WHITE					<i>[Signature]</i>	05/20/08'
BODY	NOTE 1	NOTE 2					DRAWING NO. SMA-J2S-GG25-R	
NO.	DESCRIPTION	MATERIAL	FINISH	Q'TY	DRAWING NO.	 GTK UK LTD. TITLE SMA SMT JACK		