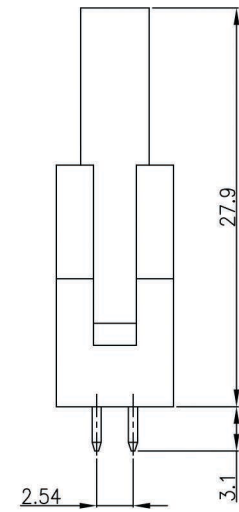
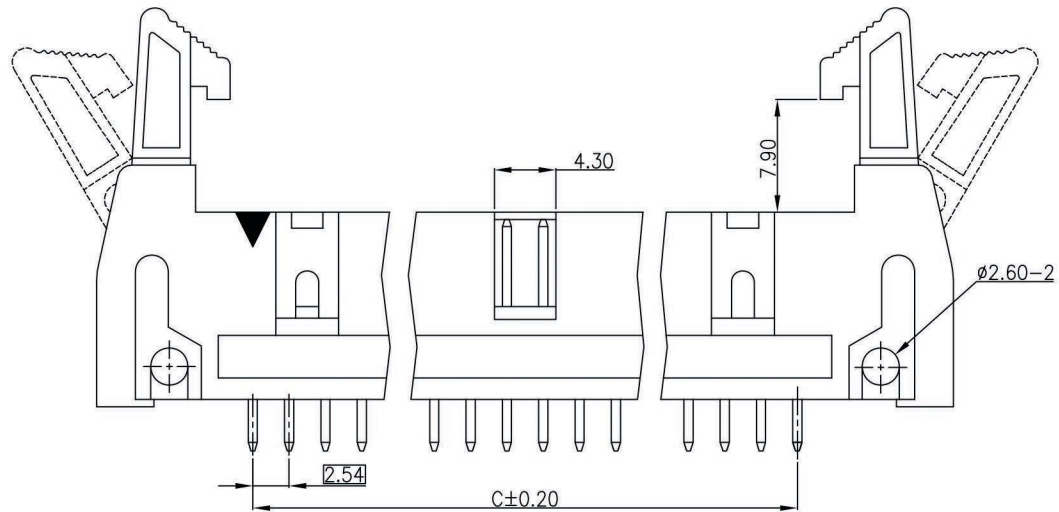
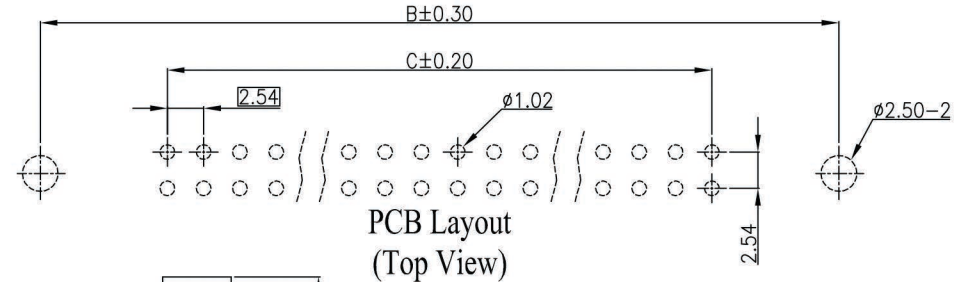
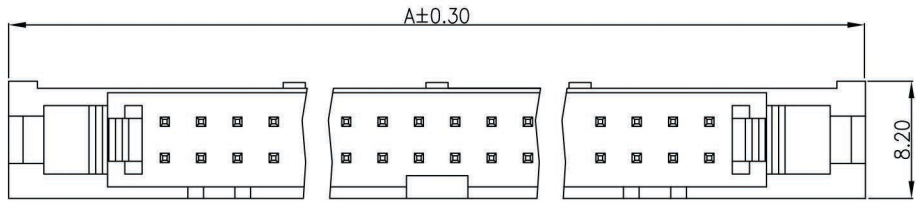
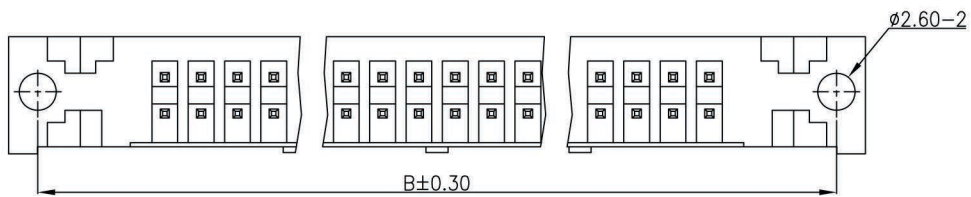


Rev.	Date	Description
A	2004/12/14	New Drawing
B	2005/04/14	Modify



RoHS COMPLIANT



Order Information	Dimensions			
	Pos.	A	B	C
SCP10GS1-R	10	32.00	27.94	10.16
SCP14GS1-R	14	37.08	33.02	15.24
SCP16GS1-R	16	39.62	35.56	17.78
SCP20GS1-R	20	44.70	40.64	22.86
SCP24GS1-R	24	49.78	45.72	27.94
SCP26GS1-R	26	52.32	48.26	30.48
SCP30GS1-R	30	57.40	53.34	35.56
SCP34GS1-R	34	62.48	58.42	40.64
SCP40GS1-R	40	70.10	66.04	48.26
SCP50GS1-R	50	82.80	78.74	60.96



Material and Finish
 1. Housing: Thermoplastic (UL94V-0), Black.
 2. Terminal: Sq. 0.64mm, Gold Plating.

Electrical Characteristics
 1. Current Rating: 3.0 Amp. Max.
 2. Dielectric Withstand Voltage:
 1000V AC RMS for 60Seconds.
 3. Insulation Resistance:
 1000M Ohms Min. at 1000V DC.

Mechanical Characteristics
 1. Operating Temperature: -55°C ~ +105°C

Scale: 1:1 Unit: mm
 Drawn By: Naosei
 Checked By: Amanda
 Approved By: Alex
 Title: SCPxxGS1-R

2.54mm Header Ejector Type
 PCB Mount Vertical With Longlatch