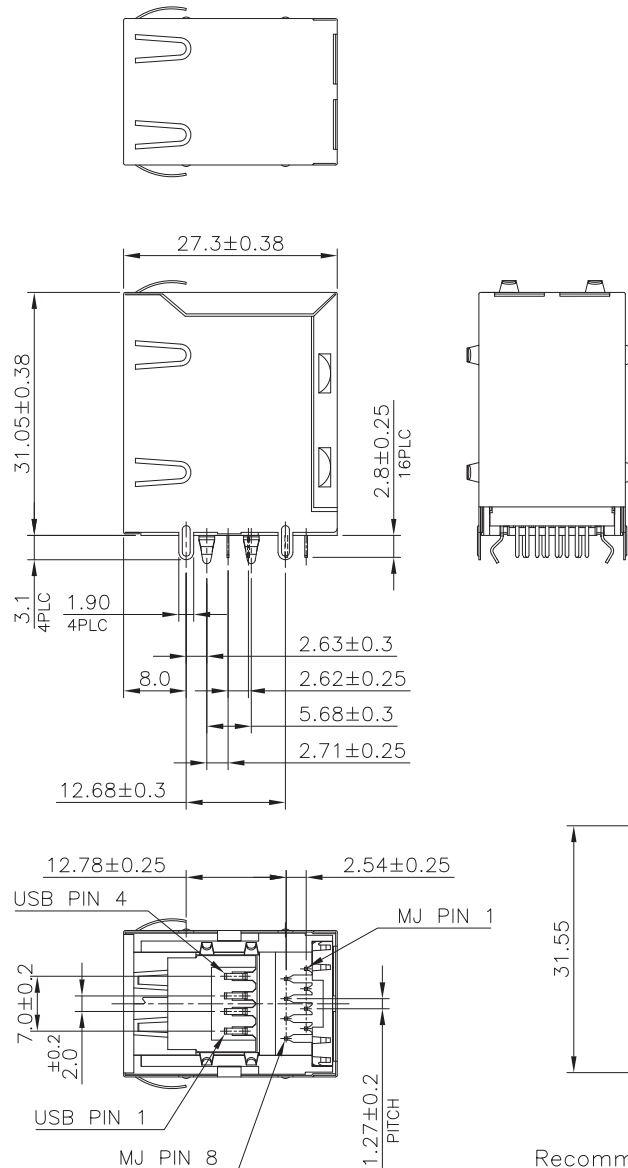


Recommended PCB Layout  
(Component Side)



Recommended Panel Cut-out

NOTE:

CAVITY CONFIRMS TO FCC RULES AND REGULATIONS PART 68, SUBPART F.

1. MATERIAL:

- 1.1 MJ HOUSING: PBT, WITH GLASS FIBER, UL94V-0, STANDARD COLOR-BLACK.
- 1.2 MJ INSERT HOUSING: PBT, WITH GLASS FIBER, UL94V-0, STANDARD COLOR-BLACK.
- 1.3 MJ COVER: PBT, WITH GLASS FIBER, UL94V-0, STANDARD COLOR-BLACK.
- 1.4 MJ CONTACTS: PHOSPHOR BRONZE.
- 1.5 MJ SHELL: BRASS.
- 1.6 USB HOUSING: PBT, WITH GLASS FIBER, UL94V-0, STANDARD COLOR-BLACK.
- 1.7 USB CONTACTS: BRASS.
- 1.8 USB FRONT SHELL: SUS.
- 1.9 USB REAR COVER: SPCC.
- 1.10 USB SHELL: BRASS.

2. FINISH:

- 2.1 MJ CONTACTS: GOLD PLATED ON CONTACT AREA, (6μ") GOLD FLASH ON SOLDER TAIL, 1.27μm [50μ"] MIN. NICKEL UNDERPLATED OVERALL.
- 2.2 MJ SHELL: 0.508μm [20μ"] MIN. NICKEL PLATED
- 2.3 USB CONTACTS: GOLD PLATED ON CONTACT AREA, (6μ") 2.54μm [100μ"] TIN PLATED ON SOLDER TAIL, 1.27μm [50μ"] MIN. NICKEL UNDERPLATED OVERALL.
- 2.4 USB FRONT SHELL: 2.032μm [80μ"] MIN. NICKEL PLATED.
- 2.5 USB REAR COVER: 2.032μm [80μ"] MIN. NICKEL PLATED.
- 2.6 USB SHELL: 2.032μm [80μ"] MIN. NICKEL PLATED.



TITLE		2X1PORT, RJ45+USB, WITHOUT LED, WITH SHELL, RECEPTACLE CONNECTOR (RoHS)		OPEN TOLERANCES Fraction Decimals Angles X.X ±0.38 ±1° X.XX ±0.25 X.XXX ±0.10		DWG.	Kate	03/08/17		
PART NO.		MTTU100-01SG-R		REV.		CKD.	Justin	03/08/17		
REF. NO.				SCALE		APPD.	Justin	03/08/17	A	New Release
				SHEET						03/08/17
				1 of 1						DESCRIPTION
				QA. NO.						DATE