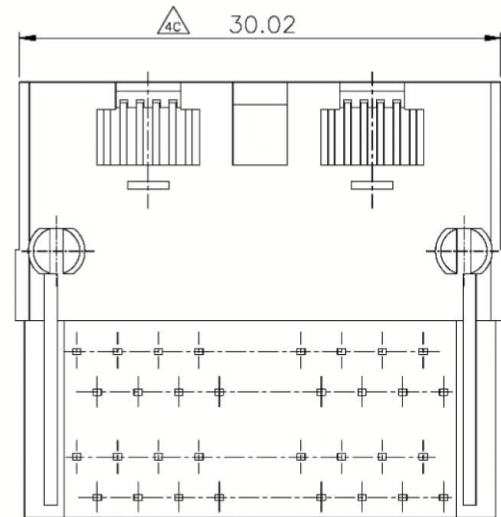
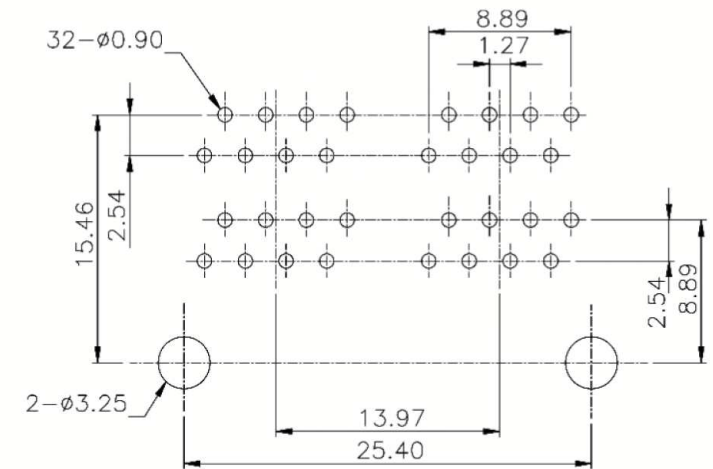


RoHS COMPLIANT

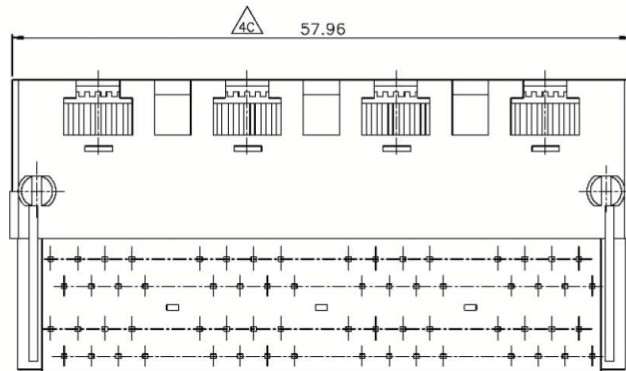
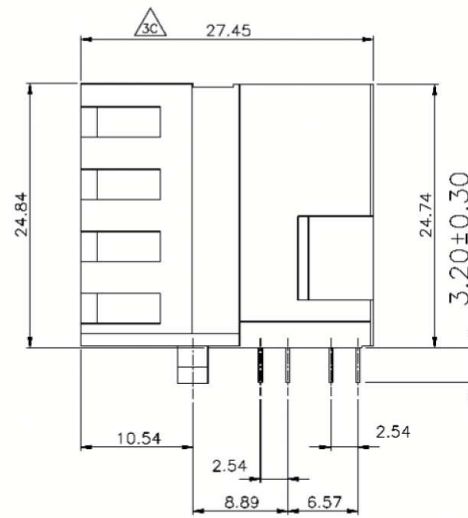
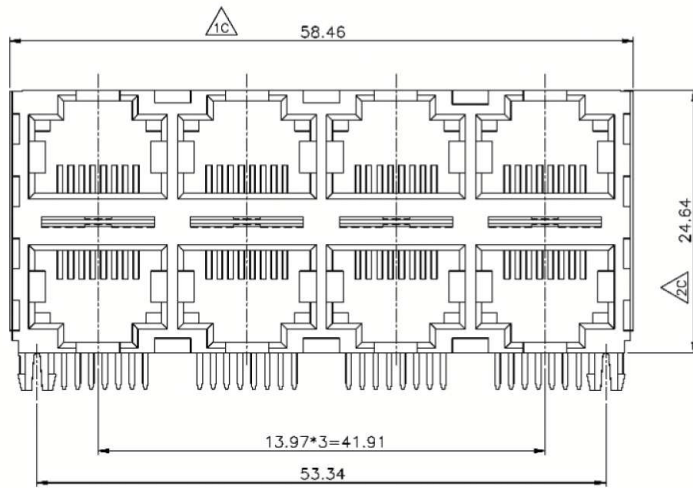


PCB LAYOUT/TOP VIEW

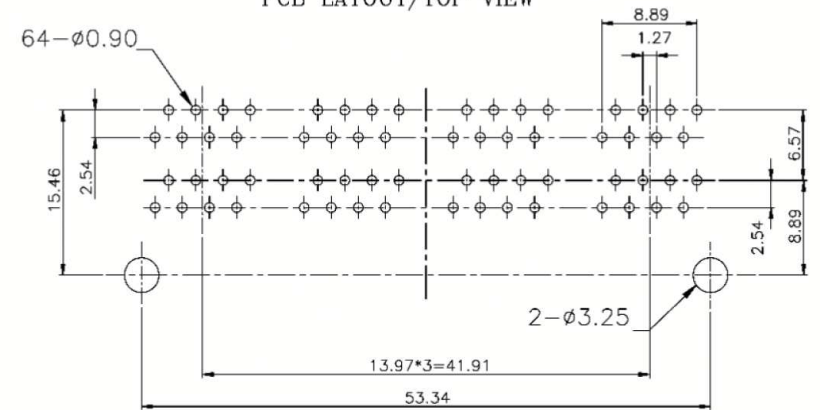


MATERIALS:
 PLASTIC HOUSING: ENGINEERING THERMOPLASTIC
 FLAMMABILITY RATING UL 94V-0. (BLACK)
 CONTACTS: PHOSPHOR BRONZE
 PLATING: 6u" GOLD PLATING OVER NICKEL IN CONTACT.
 TIN PLATING OVER NICKEL IN SOLDER AREA.

設計 DR. YANG 93-03-10	核准 APPD. Jerry 93-03-10	容許公差 TOLERANCE .XXX ±0.10 .XX ±0.25 .X ±0.38 X ±0.50 ANG ±3°	品名 ARTICLE 2*2 PCB JACK (8P8C)
版本說明 REVISION NOTE			圖號 DWG NO. MTDG4-8810NB-R
			單位 UNIT mm
			比例 SCALE 3/1
			張數 SHEET 1/2
			版本 REV. A



PCB LAYOUT/TOP VIEW



RoHS COMPLIANT

MATERIALS:
 PLASTIC HOUSING: ENGINEERING THERMOPLASTIC
 FLAMMABILITY RATING UL 94V-0. (BLACK)
 CONTACTS: PHOSPHOR BRONZE
 PLATING: 6u" GOLD PLATING OVER NICKEL IN CONTACT.
 TIN PLATING OVER NICKEL IN SOLDER AREA.

設計 DR. YANG 93-03-11	核准 APPD. Jerry 93-03-11	容許公差 TOLERANCE .XXX ±0.10 .XX ±0.25 .X ±0.38 X ±0.50 ANG ±3'	品名 ARTICLE 2x4 PCB JACK (8P8C)
版本說明 REVISION NOTE			圖號 DWG NO. MTDG8-8810NB-R
GTK UK LTD.			單位 UNIT mm
			比例 SCALE 2/1
			張數 SHEET 2/2
			版本 REV. A