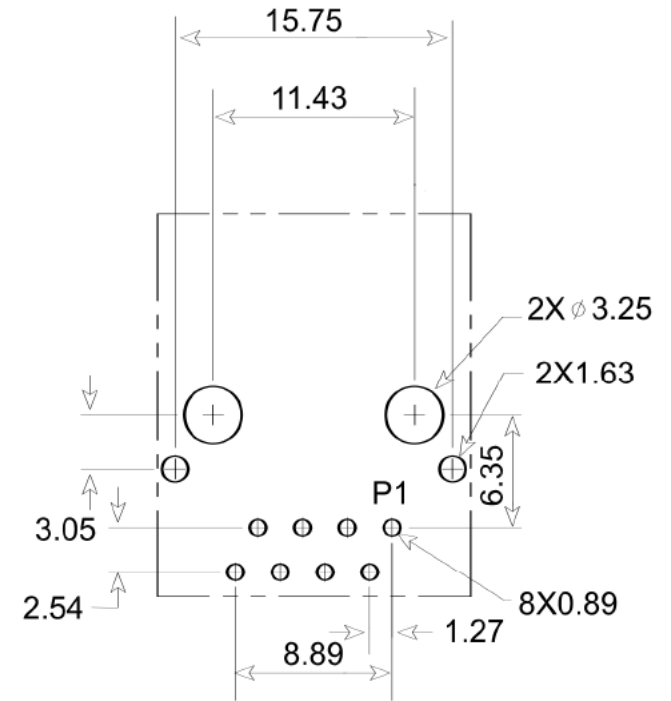
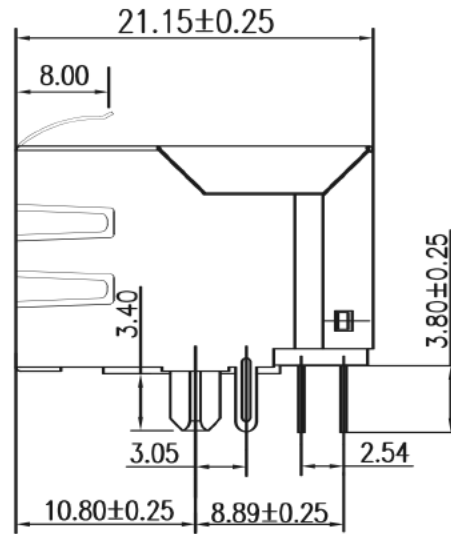
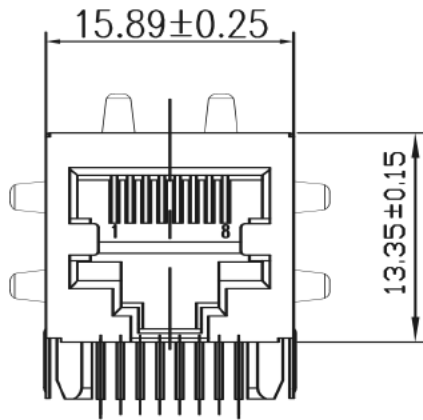
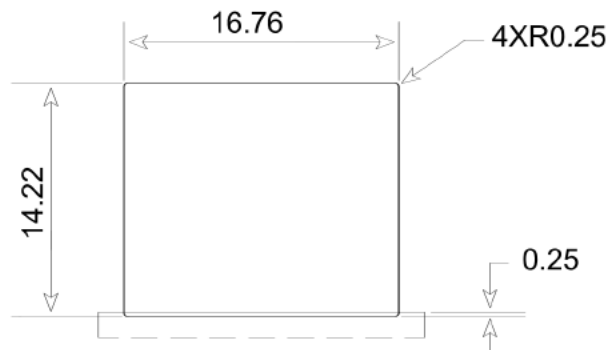
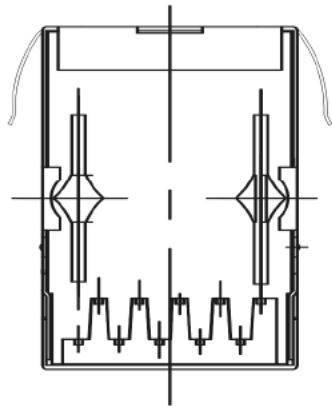


Mechanical, PCB Layout & Panel Cut-Out



Recommended PCB Layout
(Component Side)



Recommended Panel Cut-out



GTK UK LTD.

TITLE SINGLE RJ-45 CONNECTOR WITH INTEGRATED MAGNETICS 10/100 BASE-T (RoHS)

PART NO. **MTCMF-1801SG3-R** REV. A

REF. NO.



OPEN TOLERANCES
Fraction Decimals Angles
XX.XX ±0.25 (0.010) ± 1°
0.0X ±0.02 (0.002)

All Dimensions in mm [inches]

SCALE 2:1

QA. NO.

DWG. Kate 03/11/11

CKD. Justin 03/11/11

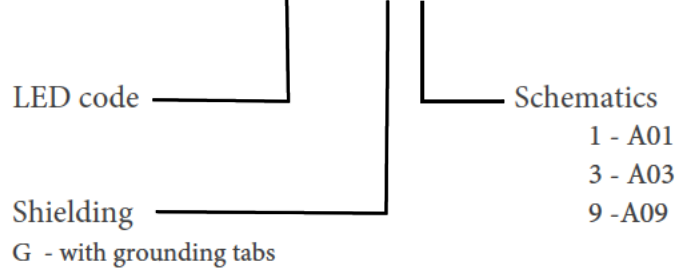
APPD. Justin 03/11/11

SHEET 1 of 3

REV.	A	NEW RELEASE	03/11/11
REV.		DESCRIPTION	DATE

Order Information

MTCMF-18 0 1 S G 3-R



ELECTRICAL: CURRENT RATING: 1.5A
 VOLTAGE RATING: 125V AC
 INSULATION RESISTANCE: 500MΩ Mini
 WITHSTAND VOLTAGE: AC 1500 V RMS 50Hz OR 60Hz 1 Min
 CONTACT RESISTANCE: 20mΩ Max

MECHANICAL: INSERTION FORCE: 2 CONTACTS 350g 4 CONTACTS 500g
 6 CONTACTS----750g 8 CONTACTS----900g
 10 CONTACTS----1050g
 RETENTION STRENGTH: 7.7kg BETWEEN JACK AND PLUG
 DURABILITY: 750 MATING CYCLES Mini

MATERIAL: HOUSING: GLASS FILLED PBT (UL 94V-0)
 SPRING WIRE: 0.35mm THICKNESS PHOSPHOR BRONZE ALLOY SELECTIVE GOLD
 PLATING OVER NICKEL
 SHIELDING: 0.20mm THICKNESS COPPER ALLOY WITH TIN PLATED
 WORKING TEMPERATURE: -40° ~ 70°



GTK UK LTD.

TITLE SINGLE RJ-45 CONNECTOR
 WITH INTEGRATED MAGNETICS
 10/100 BASE-T (RoHS)



OPEN TOLERANCES
 Fraction Decimals Angles
 XX.XX 10.25(0.010) ± 1°
 0.0X 10.02(0.002)

DWG. Kate 03/11/11
 CKD. Justin 03/11/11

PART NO. **MTCMF-1801SG3-R** REV. A

SCALE SHEET **2 of 3**

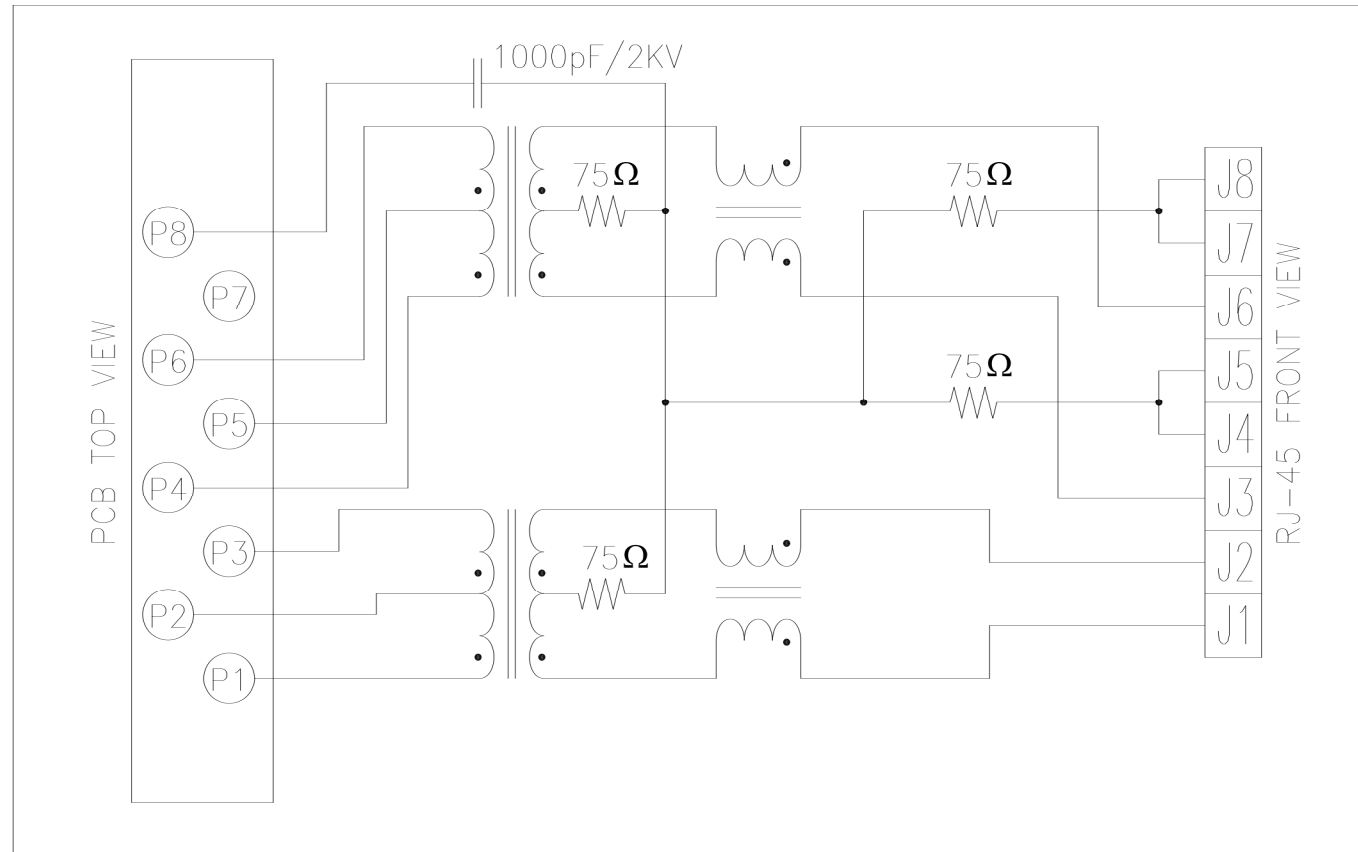
APPD. Justin 03/11/11

REF. NO.

QA. NO.

REV.	A	NEW RELEASE	03/11/11
REV.		DESCRIPTION	DATE

Schematic A03



10/100 MB ELECTRICAL CHARACTERISTICS @ 25°C

Isolation Voltage(Input to Output): 1500 Vrms
 Turns Ratio: TX 1CI:1CI ±5% ; RX 1CI:1CI ±5%
 Insertion Loss: -1.0dB Max. @1-100MHz

Return Loss:

1-30MHz	30-60MHz	60-80MHz
-18dB	-16dB	-12dB (Min.)

Common Mode Rejection:

1-50MHz	50-150MHz
-30dB	-20dB (Min.)

Cross Talk:

1-30MHz	30-60MHz	60-80MHz
-40dB	-35dB	-30dB (Min.)

Inductance: 350uH Min with 8mA DC Bias, @100KHz/100mV



GTK UK LTD.

TITLE
 FILTER SCHEMATIC A03 TYPE

PART NO. **MTCMF-1801SG3-R** REV. A

REF. NO. SCALE 1:1

OPEN TOLERANCES
 Fraction Decimals Angles
 X ±0.50
 XX ±0.38
 XXX ±0.25
 XXXX ±0.10

SCALE 1:1 SHEET 3 of 3

QA. NO.

DWG. Kate 12/22/09

CKD. Justin 12/22/09

APPD. Justin 12/22/09

REV.	DESCRIPTION	DATE
A	New Release	12/22/09