

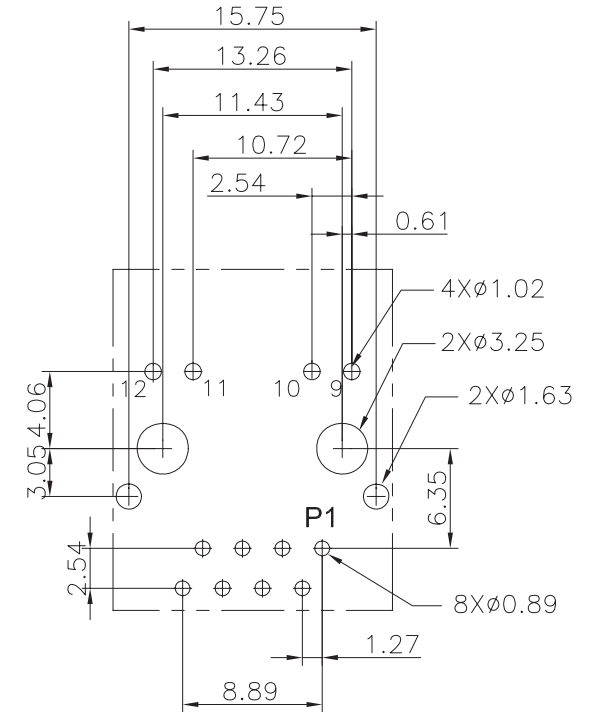
SPECIFICATIONS

ELECTRICAL: CURRENT RATING: 1.5A
 VOLTAGE RATING: 125V AC
 INSULATION RESISTANCE: 500MΩ Mini
 WITHSTAND VOLTAGE: AC 1500 V RMS 50Hz OR 60Hz 1 Min
 CONTACT RESISTANCE: 20mΩ Max

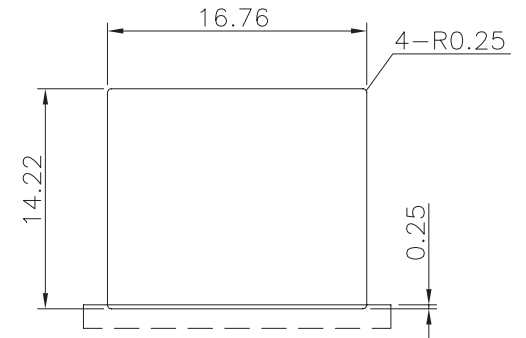
MECHANICAL: INSERTION FORCE: 2 CONTACTS----350g 4 CONTACTS----500g
 6 CONTACTS----750g 8 CONTACTS----900g
 10 CONTACTS----1050g

RETENTION STRENGTH: 7.7kg BETWEEN JACK AND PLUG
 DURABILITY: 750 MATING CYCLES Mini

MATERIAL: HOUSING: ENGINEERING THERMOPLASTIC FLAMMABILITY UL 94 V-0
 SPRING WIRE: 0.35mm THICKNESS PHOSPHOR BRONZE ALLOY SELECTIVE GOLD PLATING OVER NICKEL
 SHIELDING: 0.23mm THICKNESS COPPER ALLOY WITH TIN PLATED
 WORKING TEMPERATURE: -40°C ~ 70°C



Recommended PCB Layout (Component Side)



Recommended Panel Cut-out



TITLE SINGLE MODULAR JACK W/ MAGNETICS & LEDS (RoHS)		OPEN TOLERANCES Fraction Decimals Angles X .50 ± 1° XX .038 XXX ± 0.25 XXXX ± 0.10		DWG. Kate 11/22/12'		
PART NO. MTCLMA-1811SG3-R REV. B		SCALE 2:1		CKD. Justin 11/22/12'		
REF. NO.		QA. NO.		APPD. Justin 11/22/12'	B Update Drawing 11/22/12'	
					A New Release 06/17/10'	
					REV. DESCRIPTION DATE	

Order Information

MTCLMA-1811 S G 3-R

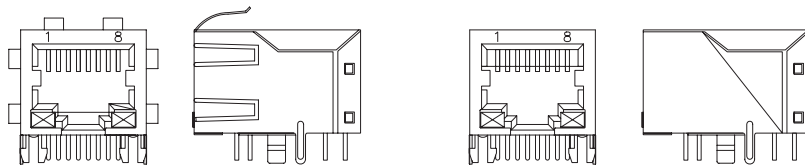
LED code
(see box)

Shielding options
G = all grounding tabs
N = no grounding tabs

Schematics

- 1 - A01
- 3 - A03
- 9 - A09

Optional for Grounding Tabs

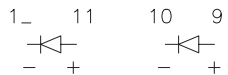


All Grounding Tab

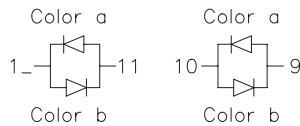
No Grounding Tabs

LED Configuration

Single Color LED



Bi-Color LED



LED Codes		
code	LED 2 (left)	LED 1 (right)
0	No LED	No LED
1	Yellow	Green
2	No LED	Green
3	Green	Yellow
4	Green	Green
5	Yellow	Yellow
6	Yellow/Green	Yellow/Green
7	Green/Red	Green/Red
8	Yellow/Green	Yellow
9	Green/Orange	Yellow

Further LED options available on request



TITLE
SINGLE MODULAR JACK W/
MAGNETICS & LEDS (RoHS)

PART NO. MTCLMA-1811SG3-R

REF. NO.

REV. B

SCALE 2 : 1

QA. NO.



OPEN TOLERANCES
Fraction Decimals Angles
X ± 0.50
X.X ± 0.38
X.XX ± 0.25
X.XXX ± 0.10

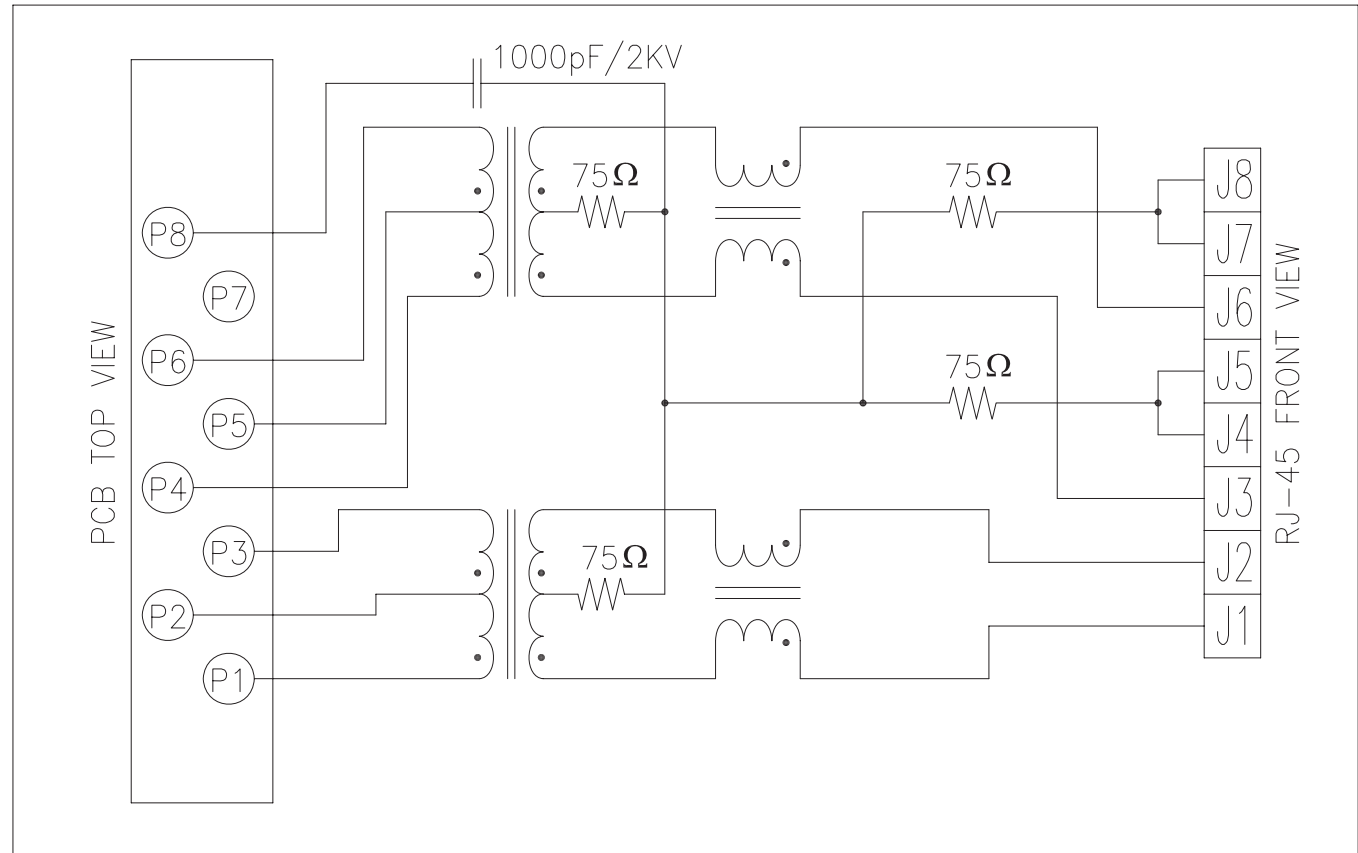
DWG. Kate 11/22/12'

CKD. Justin 11/22/12'

APPD. Justin 11/22/12'

REV.	DESCRIPTION	DATE
B	Update Drawing	11/22/12'
A	New Release	06/17/10'

Schematic A03



10/100 MB ELECTRICAL CHARACTERISTICS @ 25°C

Isolation Voltage(Input to Output): 1500 Vrms
 Turns Ratio: TX 1CT:1CT ±5% ; RX 1CT:1CT ±5%
 Insertion Loss: -1.0dB Max. @1-100MHz

Return Loss:

1-30MHz	30-60MHz	60-80MHz
-18dB	-16dB	-12dB (Min.)

Common Mode Rejection:

1-50MHz	50-150MHz
-30dB	-20dB (Min.)

Cross Talk:

1-30MHz	30-60MHz	60-80MHz
-40dB	-35dB	-30dB (Min.)

Inductance: 350uH Min with 8mA DC Bias, @100KHz/100mV



TITLE FILTER SCHEMATIC A03 TYPE		OPEN TOLERANCES Fraction Decimals Angles X ±0.50 XX ±0.38 XXX ±0.25 XXXX ±0.10	DWG. Kate 12/22/09'		
PART NO. MTCLMA-1811SG3-R REV. A			SCALE 1:1 SHEET 3 of 3	CKD. Justin 12/22/09'	
REF. NO.	QA. NO.		APPD. Justin 12/22/09'	A	New Release 12/22/09'
			REV.	DESCRIPTION	DATE