

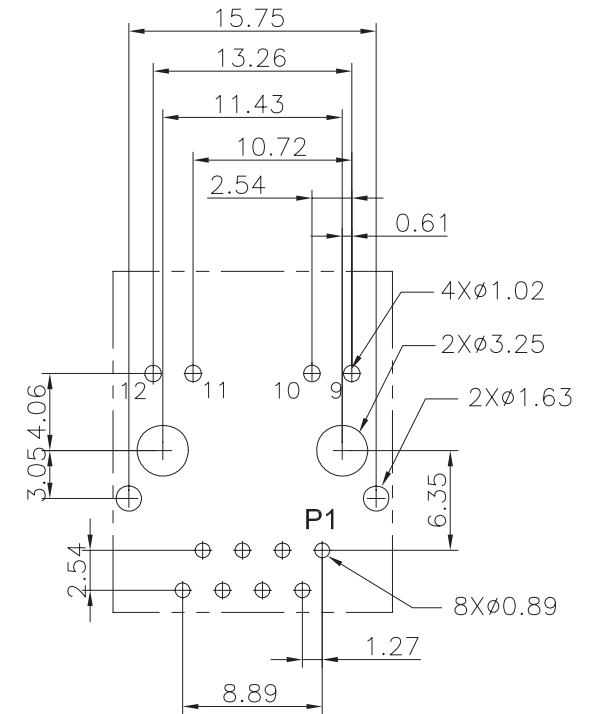
**SPECIFICATIONS**

**ELECTRICAL:** CURRENT RATING: 1.5A  
 VOLTAGE RATING: 125V AC  
 INSULATION RESISTANCE: 500MΩ Mini  
 WITHSTAND VOLTAGE: AC 1500 V RMS 50Hz OR 60Hz 1 Min  
 CONTACT RESISTANCE: 20mΩ Max

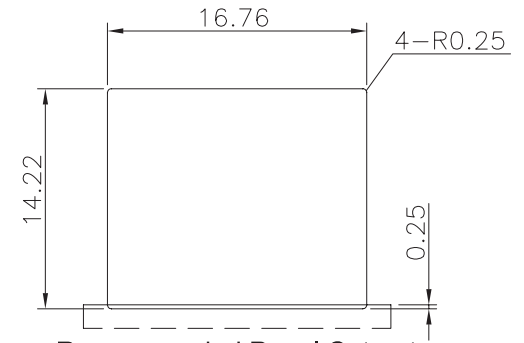
**MECHANICAL:** INSERTION FORCE: 2 CONTACTS----350g 4 CONTACTS----500g  
 6 CONTACTS----750g 8 CONTACTS----900g  
 10 CONTACTS----1050g

RETENTION STRENGTH: 7.7kg BETWEEN JACK AND PLUG  
 DURABILITY: 750 MATING CYCLES Mini

**MATERIAL:** HOUSING: ENGINEERING THERMOPLASTIC FLAMMABILITY UL 94 V-0  
 SPRING WIRE: 0.35mm THICKNESS PHOSPHOR BRONZE ALLOY SELECTIVE GOLD PLATING OVER NICKEL  
 SHIELDING: 0.23mm THICKNESS COPPER ALLOY WITH TIN PLATED  
 WORKING TEMPERATURE: -40°C ~ 70°C



**Recommended PCB Layout (Component Side)**



**Recommended Panel Cut-out**



TITLE SINGLE MODULAR JACK W/ MAGNETICS & LEDS (RoHS)		OPEN TOLERANCES Fraction Decimals Angles X .50 ± 1° X.X ±0.38 X.XX ±0.25 X.XXX ±0.10	DWG. Kate 11/22/12'		
PART NO. MTCLMA-1811SG1-R	REV. B		SCALE 2:1	CKD. Justin 11/22/12'	B Update Drawing 11/22/12'
REF. NO.		QA. NO.	APPD. Justin 11/22/12'	A New Release 06/17/10'	
			REV.	DESCRIPTION	DATE

# Order Information

MTCLMA-1811 S G 1-R

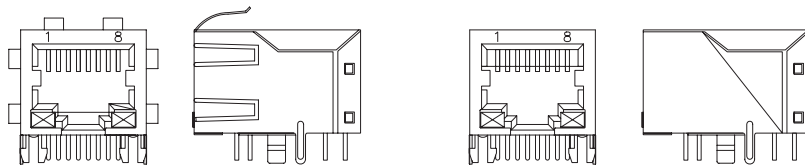
LED code  
(see box)

Shielding options  
G = all grounding tabs  
N = no grounding tabs

Schematics

- 1 - A01
- 3 - A03
- 9 - A09

## Optional for Grounding Tabs

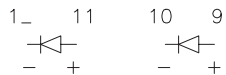


All Grounding Tab

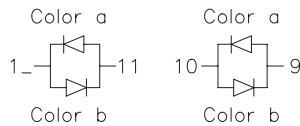
No Grounding Tabs

## LED Configuration

Single Color LED



Bi-Color LED



LED Codes		
code	LED 2 (left)	LED 1 (right)
0	No LED	No LED
1	Yellow	Green
2	No LED	Green
3	Green	Yellow
4	Green	Green
5	Yellow	Yellow
6	Yellow/Green	Yellow/Green
7	Green/Red	Green/Red
8	Yellow/Green	Yellow
9	Green/Orange	Yellow

Further LED options available on request



TITLE  
SINGLE MODULAR JACK W/  
MAGNETICS & LEDS (RoHS)

PART NO. MTCLMA-1811SG1-R

REF. NO.

REV. B

SCALE  
2 : 1

SHEET 2 of 3

QA. NO.

OPEN TOLERANCES  
Fraction Decimals Angles  
X ± 0.50 ± 1°  
X.X ± 0.38  
X.XX ± 0.25  
X.XXX ± 0.10

DWG. Kate 11/22/12'

CKD. Justin 11/22/12'

APPD. Justin 11/22/12'

REV.	DESCRIPTION	DATE
B	Update Drawing	11/22/12'
A	New Release	06/17/10'

