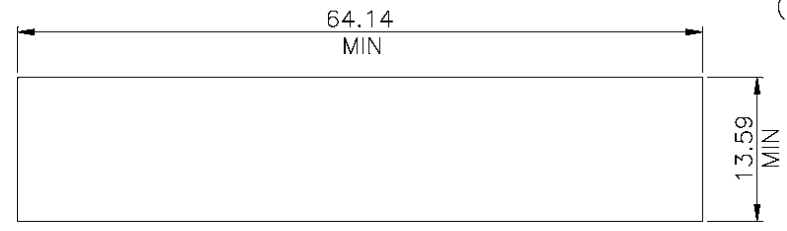
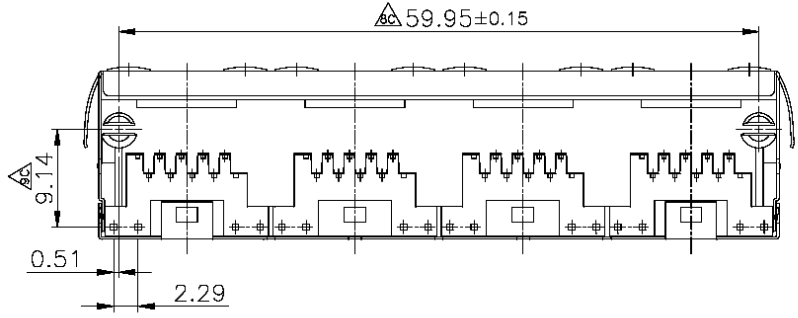
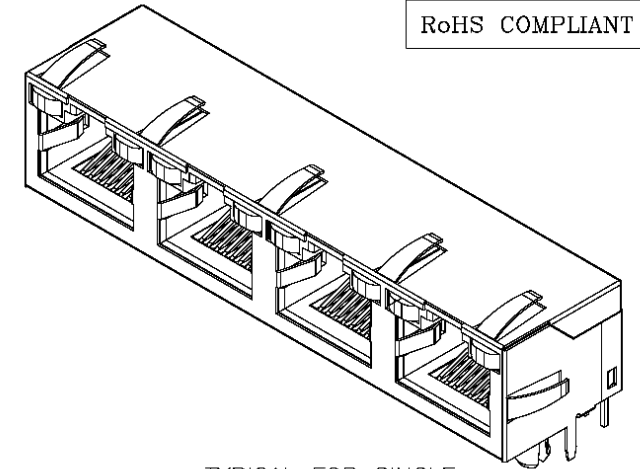
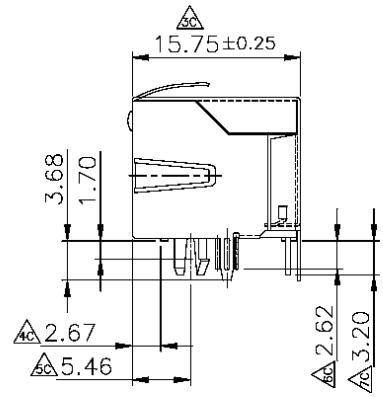
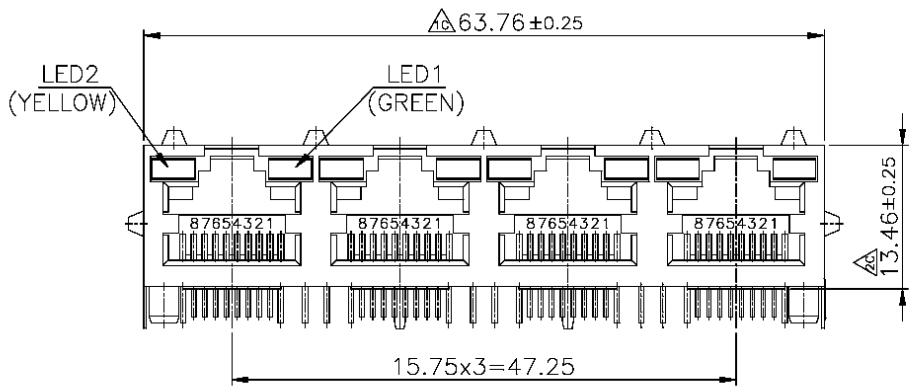
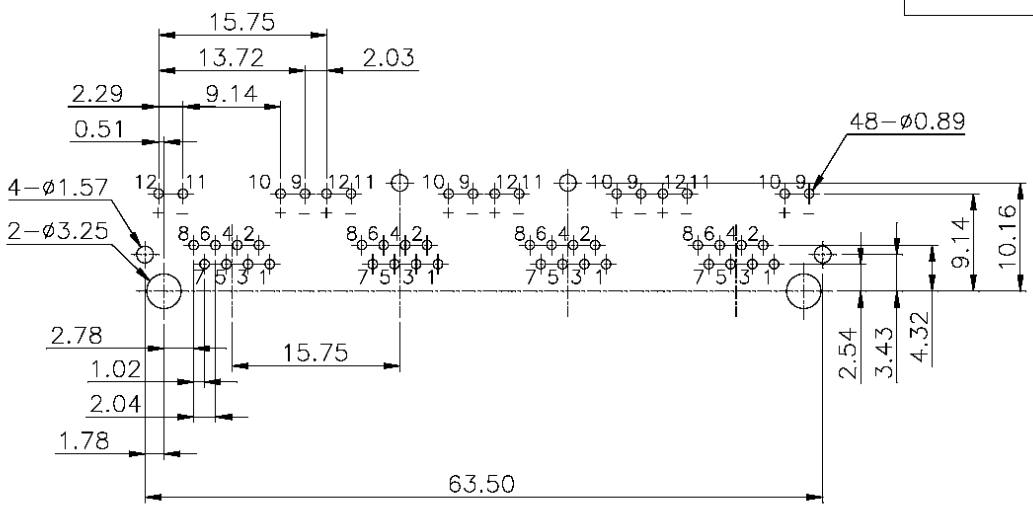
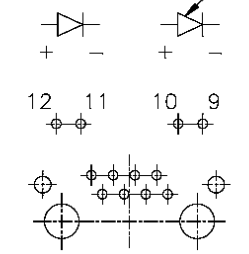


RoHS COMPLIANT



TYPICAL FOR SINGLE COLOR LED (RED, GREEN, YELLOW)



P.C.B LAYOUT/TOP VIEW

RECOMMENDED PANEL CUTOUT

MATERIALS:

- PLASTIC HOUSING: ENGINEERING THERMOPLASTIC
FLAMMABILITY RATING UL 94V-0.
- CONTACTS: PHOSPHOR BRONZE
- PLATING: GOLD PLATING OVER NICKEL IN CONTACT,
TIN PLATING OVER NICKEL IN SOLDER AREA.
- SHIELD: BRASS PLATING NICKEL ALLOY.

設計 DR. Kathy Chung 2012/09/25	核准 APPD. Jerry 2012/09/25	容許公差 TOLERANCE .XXX ±0.10 .XX ±0.25 .X ±0.38 X ±0.50 ANG ±3°	4 PORT MODULAR JACK WITH LEDS. SHIELD WITH GROUNDING TABS.
版本說明 REVISION NOTE 依設變通知原了u”變更為G/F, 圖面發G版.			圖號 DWG NO. MTCL-48811SB-R
GTK UK LTD.			單位 UNIT 比例 SCALE 張數 SHEET 版本 REV. mm 2/1 1/1 G