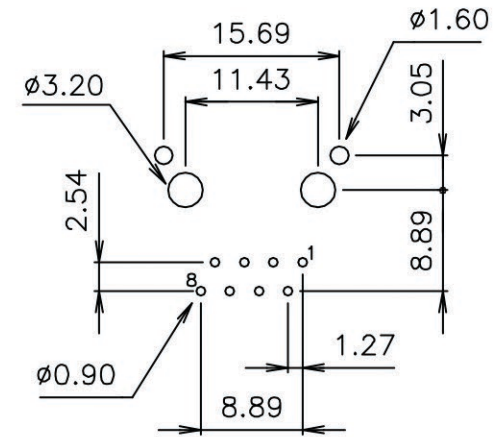
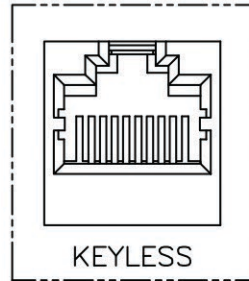
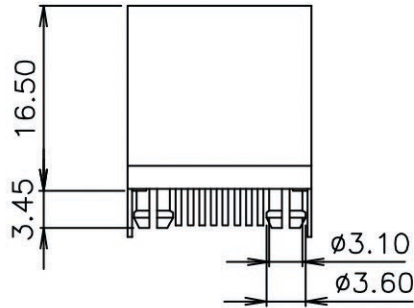


Recommended Panel Cut-out



Recommended PCB Layout  
(Component Side)

**MATERIAL:**

- HOUSING—PBT POLYESTER UL-94V-0 MIXED GLASS FIBER. STANDARD COLOR—BLACK
- CONTACTS—0.35mm THICK PHOS-BRONZE PLATED WITH HARD GOLD 6μ" GOLD FLASH IN SOLDER AREA.
- SHIELD—0.25mm THICK COPPER ALLOY, PLATED WITH NICKEL.

CAVITY CONFIRMS TO FCC RULES AND REGULATIONS PART 68,SUBPART F.



TITLE 8POSITION FLAT PIN SHIELDED TOP ENTRY PCB JACK (RoHS)		OPEN TOLERANCES Fractional Decimals Angles X ±0.50 ±°1 Y ±0.25 ±°1 Z ±0.25 ±°1 X, Y, Z ±0.10 ±°1		DWG. Jason 03/20/07'		
PART NO. MTC-8811SB2-R		REV. B	SCALE 2:1	SHEET 1 of 1	APPD. Justin 03/20/07'	
REF. NO.		QA. NO.				
					B	Update Drawing 03/20/07
					A	New Release 03/22/06
					REV.	DESCRIPTION DATE