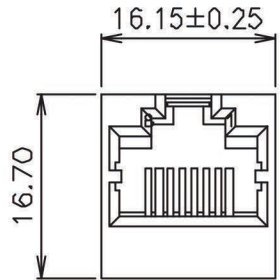


4

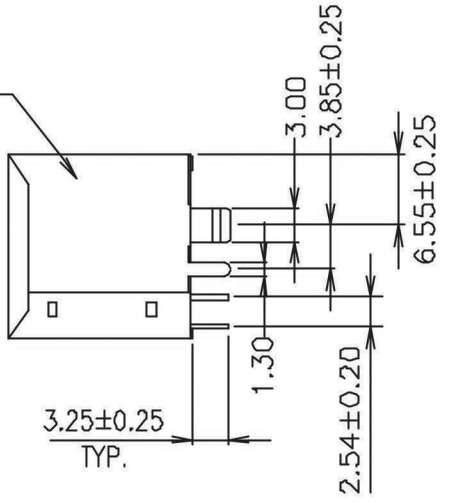
3

2

1



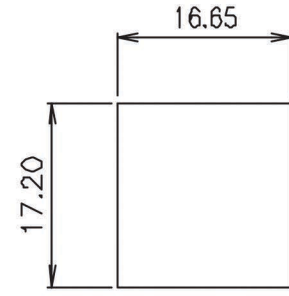
SHIELDED



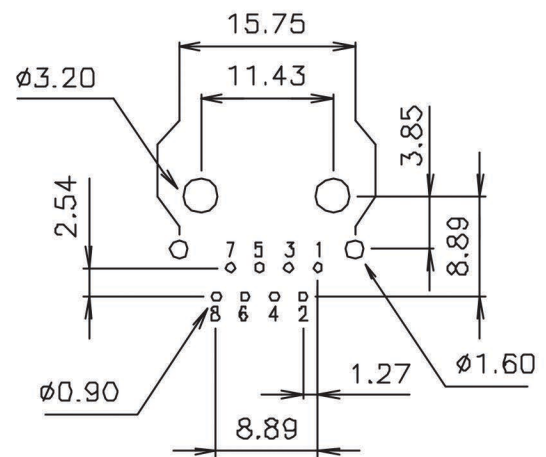
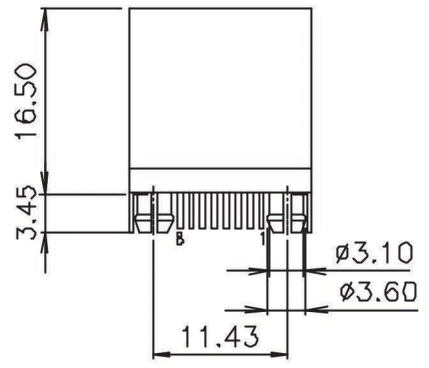
MATERIAL:

- HOUSING—PBT POLYESTER UL-94V-0 MIXED GLASS FIBER. STANDARD COLOR—BLACK
- CONTACTS—0.35mm THICK PHOS-BRONZE PLATED WITH HARD GOLD 6μ" GOLD FLASH IN SOLDER AREA.
- SHIELD—0.25mm THICK COPPER ALLOY, PLATED WITH NICKEL.

CAVITY CONFIRMS TO FCC RULES AND REGULATIONS PART 68, SUBPART F.



Recommended Panel Cut-out



Recommended PCB Layout (Component Side)



TITLE POSITION FLAT PIN SHIELDED TOP ENTRY PCB JACK (RoHS)		 OPEN TOLERANCES Facets Radii Angles Chamfers Fillets Holes Slots etc. ± 1°		DWG. Jason 03/22/06*		
PART NO. MTC-8811SB-R		REV. A	SCALE 2:1	SHEET 1 of 1	APPD. Justin 03/22/06*	
REF. NO.	QA. NO.					
REV.	DESCRIPTION	DATE				
	New Release	03/22/06*				

4

3

2

1