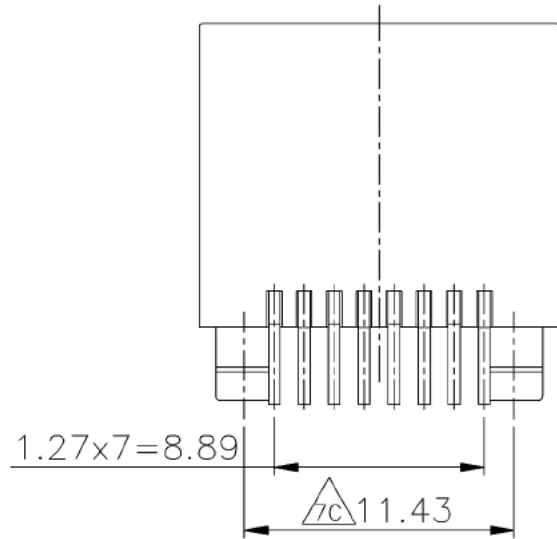
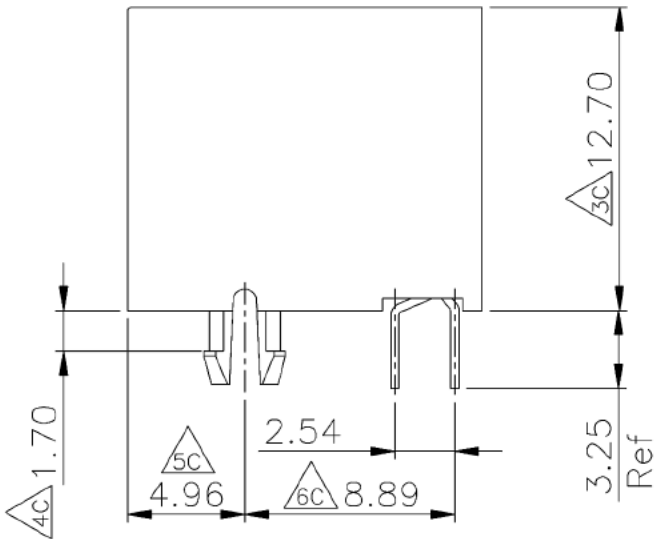


PCB LAYOUT/TOP VIEW




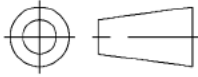
MATERIALS:

PLASTIC HOUSING: ENGINEERING THERMOPLASTIC  
FLAMMABILITY RATING UL 94V-0.

CONTACTS: PHOSPHOR BRONZE

PLATING: GOLD PLATING OVER NICKEL IN CONTACT.  
TIN PLATING OVER NICKEL IN SOLDER AREA.

※凡標註  $\triangle$  記號者為品管管制尺寸。

設計 DR. Kathy Chung 91-12-11	核准 APPD. Jerry 92-12-01	容許公差 TOLERANCE .XXX ±0.10 .XX ±0.25 .X ±0.38 X ±0.50 ANG ±3°	品名 ARTICLE TOP ENTRY 8P8C PCB JACK			
版本說明 REVISION NOTE		圖號 DWG NO. MTC-8811NBLNF-R				
			單位 UNIT mm	比例 SCALE 3/1	張數 SHEET 1/1	版本 REV. A