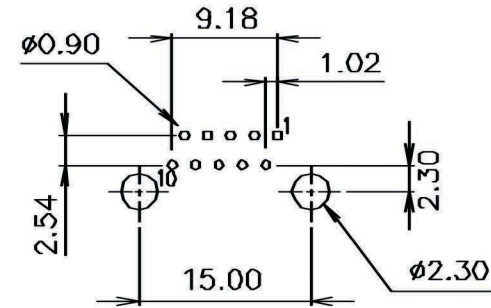
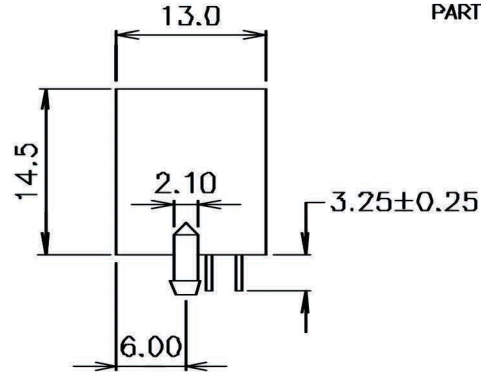
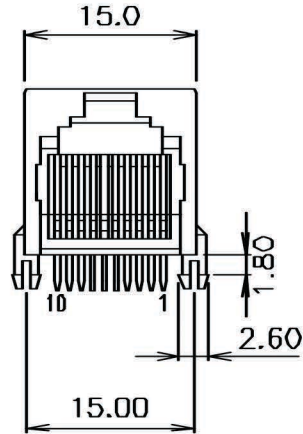




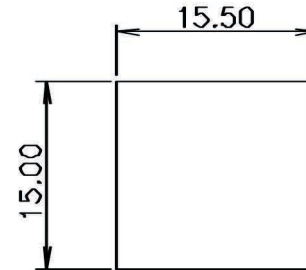
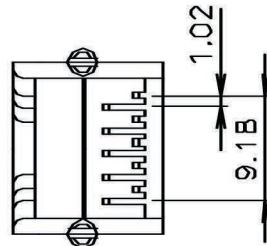
MATERIALS:

HOUSING—PBT POLYESTER UL94V-0
 MIXED GLASS FIBER.
 STANDARD COLOR—BLACK
 CONTACTS —0.45mm DIA. ROUND PHOS-BRONZE
 PLATED WITH HARD GOLD.

CAVITY CONFIRMS TO FCC RULES AND REGULATIONS
 PART 68,SUBPART F.



PC Board Layout



Recommend Panel Cut-out



GTK UK LTD.

TITLE 10 POSITION MINI LOW PROFILE, SIDE ENTRY PCB JACK (RoHS)		 All Dimensions in mm	OPEN TOLERANCES Radius 0.10 Diameter 0.10 Angle 0.5°	DWG. Jason 10/20/05		
PART NO. MTC-1010NBMLNF-R	REV. A		SCALE	SHEET 1 of 1	APPD. Justin 10/20/05	A
REF. NO.	QA. NO.				REV.	DESCRIPTION DATE