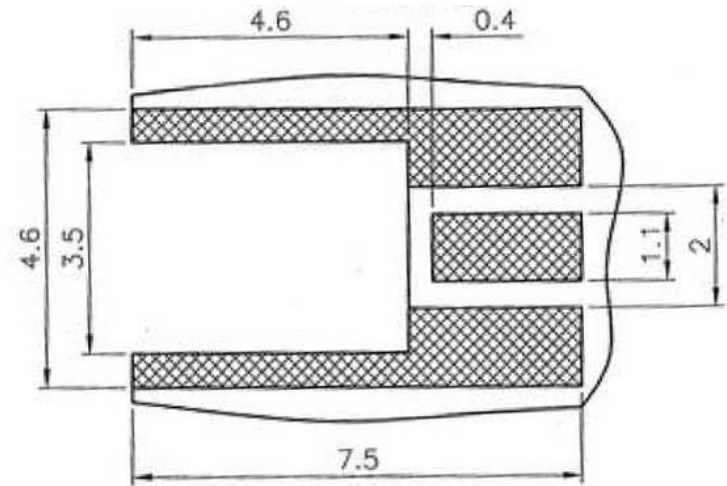
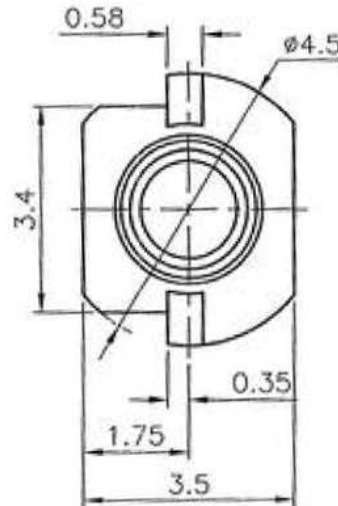
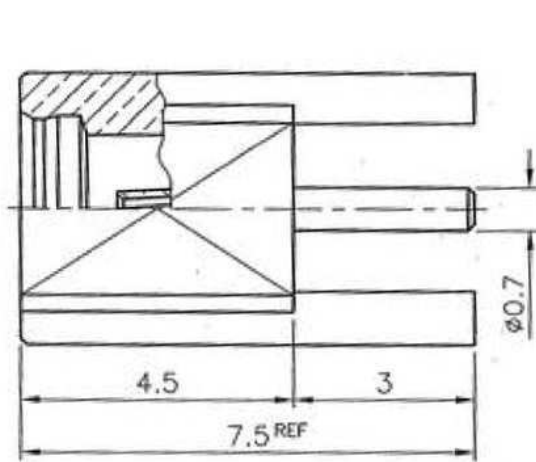


REMARK: RoHS COMPLIANT

FOR CUSTOMER




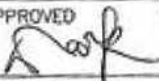
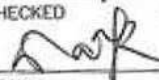

P.C.B. LAYOUT

NOTES: FINISH (PLATING THICKNESS IN MICRO-INCHES)

1. BRASS PER QQ-B-626
2. GOLD PL 3 MIN THICK OVER NICKEL PL 70 MIN THICK OVER COPPER STRIKE
3. GOLD PL 30 MIN THICK OVER NICKEL PL 70 MIN THICK OVER COPPER STRIKE
4. TEFLON MIL-P-19468
5. BERYLLIUM COPPER PER QQ-C-530

PATTERN

LAND(FREE OF SOLDER MASK)

						DIMENSIONS ARE IN MILLIMETERS				PART NO.		 <b>GTK UK LTD.</b>	
						UNLESS OTHERWISE SPECIFIED TOLERANCES (一般公差)				APPROVED	DATE		
						0.5~6 = ±0.2						08/02/06	MMCX END LAUNCH JACK-SMT
						>6~30 = ±0.4					CHECKED	DATE	DRAWING NO.
						>30~120 = ±0.6						08/02/06	MMCX-JES-GG25-R
						>120~315 = ±1					DRAWN	DATE	
						>315~1000 = ±1.6						08/02/06	
						ANGLES(角度) = ±5'							
NO.	DESCRIPTION	MATERIAL	FINISH	Q'TY	DRAWING NO.	SCALE	8/1	ISSUE	A1				
	CONTACT PIN		NOTE 5	NOTE 3									
	INSULATOR		NOTE 4	WHITE									
	BODY		NOTE 1	NOTE 2									