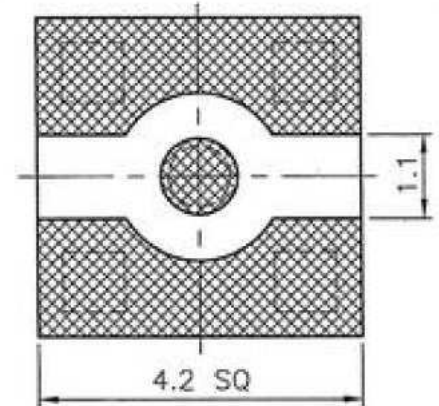
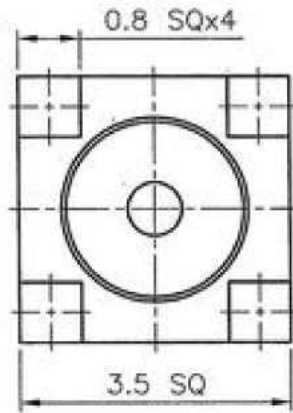
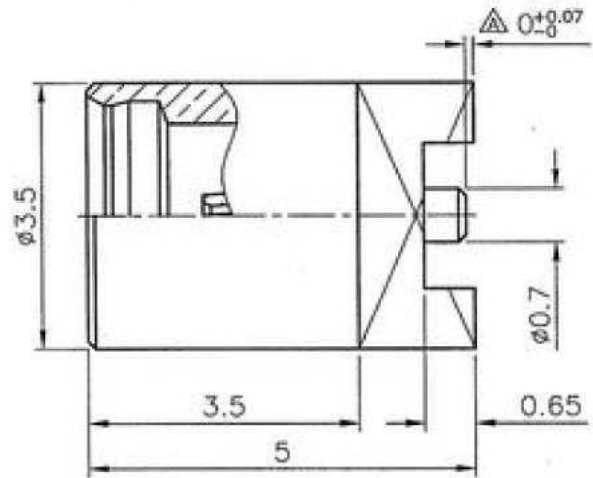



REMARK: RoHS COMPLIANT



RECOMMENDED SOLDERING PADS

NOTES: FINISH (PLATING THICKNESS IN MICRO-INCHES)

1. BRASS PER QQ-B-626
2. GOLD PL 3 MIN THICK OVER NICKEL PL 70 MIN THICK OVER COPPER STRIKE
3. GOLD PL 30 MIN THICK OVER NICKEL PL 70 MIN THICK OVER COPPER STRIKE
4. TEFLON MIL-P-19468
5. BERYLLIUM COPPER PER QQ-C-530

					DIMENSIONS ARE IN MILLIMETERS				PART NO.		 <b>GTK UK LTD.</b>	
					UNLESS OTHERWISE SPECIFIED TOLERANCES (一般公差)				APPROVED	DATE		TITLE
CONTACT PIN	NOTE 5	NOTE 3			0.5~6 = ±0.2				<i>[Signature]</i>	06/11/09		MMCX SMT JACK
INSULATOR	NOTE 4	WHITE			>6~30 = ±0.4				<i>[Signature]</i>	06/11/09		DRAWING NO. MMCX-J2S-GG25-R
BODY	NOTE 1	NOTE 2			>30~120 = ±0.6							
					>120~315 = ±1							
					>315~1000 = ±1.6							
					ANGLES(角度) = ±5'							
NO.	DESCRIPTION	MATERIAL	FINISH	Q'TY	DRAWING NO.	SCALE	10/1	ISSUE	A3	<i>[Signature]</i>	06/11/09	