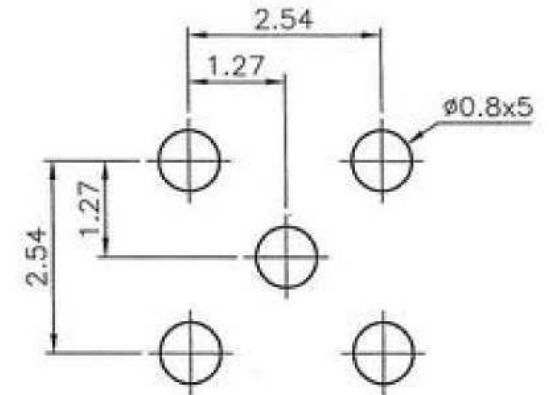
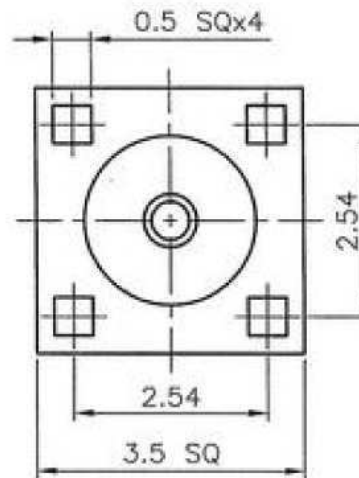
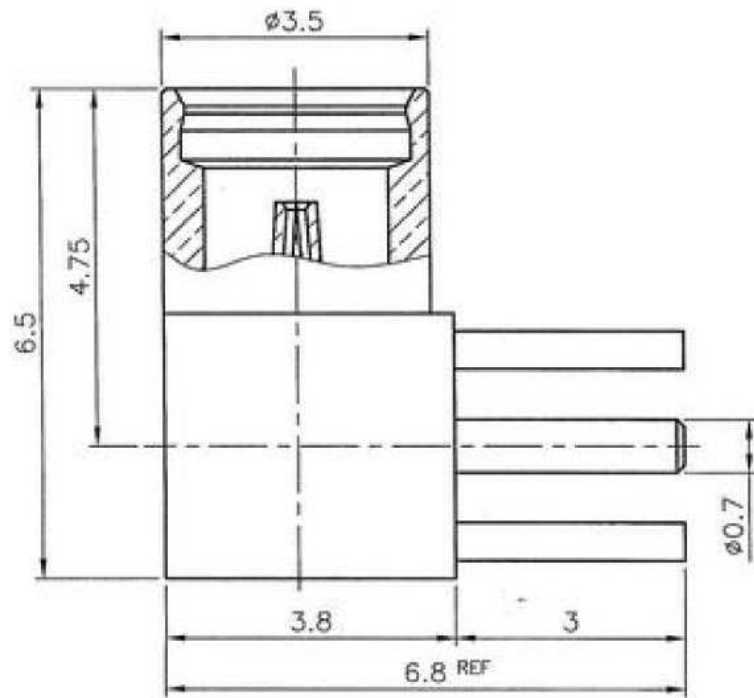


REMARK: RoHS COMPLIANT


FOR CUSTOMER



P.C.B. LAYOUT

NOTES: FINISH (PLATING THICKNESS IN MICRO-INCHES)

1. BRASS PER QQ-B-626
2. GOLD PL 3 MIN THICK OVER NICKEL PL 70 MIN THICK OVER COPPER STRIKE
3. GOLD PL 30 MIN THICK OVER NICKEL PL 70 MIN THICK OVER COPPER STRIKE
4. TEFLON MIL-P-19468
5. BERYLLIUM COPPER PER QQ-C-530

					DIMENSIONS ARE IN MILLIMETERS				PART NO.		 GTK UK LTD. TITLE MMCX R/A PCB MOUNT JACK DRAWING NO. MMCX-J1T-GG25-R
					UNLESS OTHERWISE SPECIFIED TOLERANCES (一般公差)				APPROVED	DATE	
INSULATOR	NOTE 4	WHITE			0.5~6 = ±0.2				<i>[Signature]</i>	11/17/08'	
INSULATOR	NOTE 4	WHITE			>6~30 = ±0.4						
CONTACT PIN	NOTE 5	NOTE 3			>30~120 = ±0.6						
BODY	NOTE 1	NOTE 2			>120~315 = ±1				<i>[Signature]</i>	11/17/08'	
					>315~1000 = ±1.6						
					ANGLES(角度) = ±5'						
NO.	DESCRIPTION	MATERIAL	FINISH	Q'TY	DRAWING NO.	SCALE	10/1	ISSUE	B1	<i>[Signature]</i>	11/17/08'