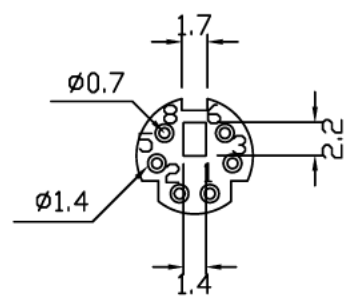
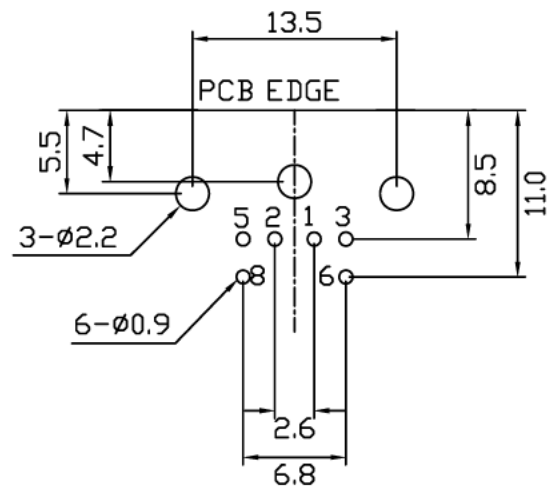
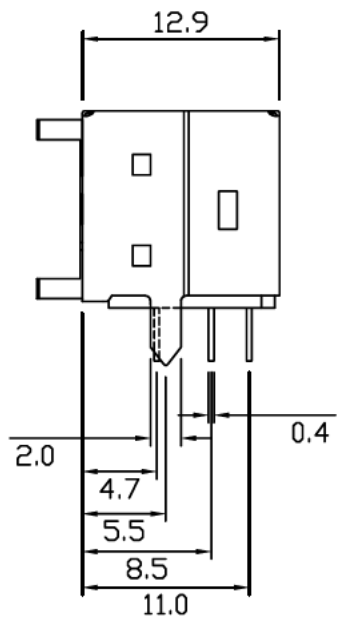
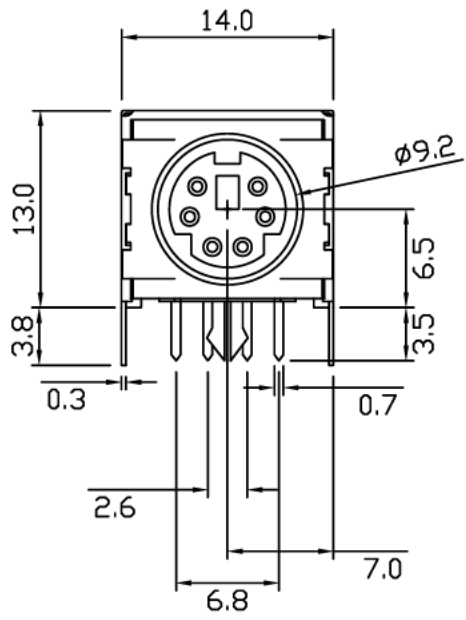
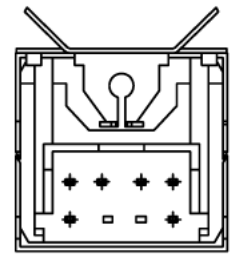


REV	ZONE	REVISION	DATE



PCB LAYOUT
(BOTTOM VIEW)

RoHS COMPLIANT



NO.	NAME	MATERIAL	FINISH	Q'TY	REMARK
1	HOUSING	PBT G.F.	GREEN;3395C	1	
2	CONTACT	PHOS. BRONZE T:0.2	GOLD-TIN PLATED	6	Gold:1~3u", NI:40~60u", TIN:120u" (100% pure Tin of lead free plating)
3	SHIELD	BRASS T:0.3	TIN PLATED	1	TIN:120~200u"
4	BOTTOM COVER	PBT G.F.	GREEN;3395C	1	
5	SPRING SHIELD	STAINLESS T:0.15		1	



GTK UK LTD.

COMPUTER NO.			UNIT	SCALE	PART NAME	
			mm	2:1	MINI DIN JACK	
APPD.	CKD.	DWG.	DATE	TOLERANCE	PART NO.	REV.
		TINA	08-06-06	±0.3		A

MODEL MDJ6DF-GN99-R PAGE 1 OF 1