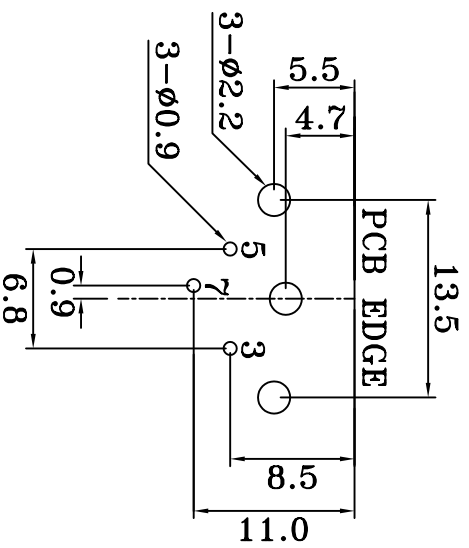
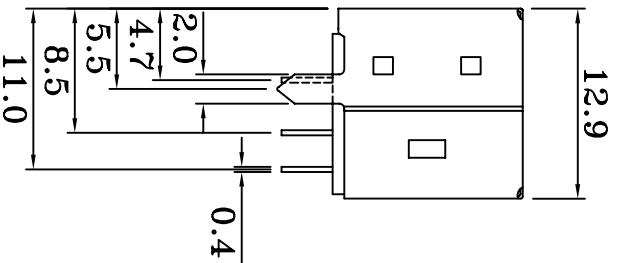
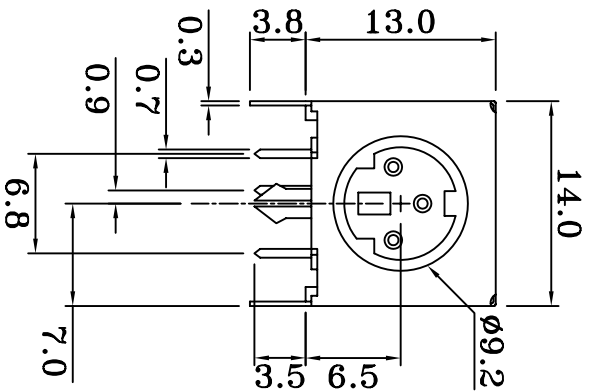
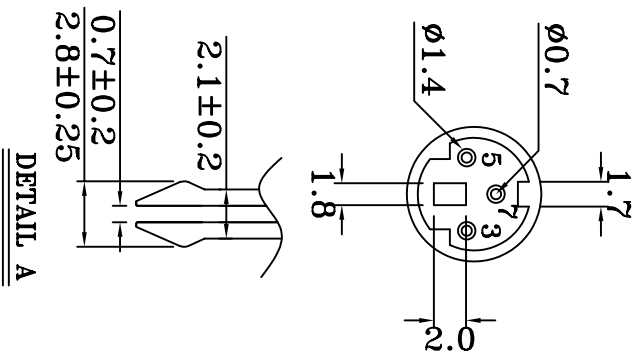


REV	ZONE	REVISION	DATE

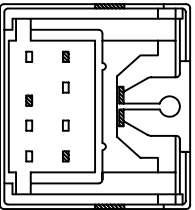


PCB LAYOUT
(BOTTOM VIEW)



DETAIL A

ROHS COMPLIANT



NO.	NAME	MATERIAL	FINISH	Q'TY	REMARK
1	HOUSING	P.B.T.	BLACK	1	
2	CONTACT	PHOS. BRONZE	GOLD-TIN PLATED	3	Gold:1~3/4"; Ni:40~60/μ" ; TIN:120/μ" (100% pure Tin of lead free plating)
3	SHIELD	COPPER ALLOY	TIN PLATED	1	TIN:3~5μ
4	BACK COVER	P.B.T.	BLACK	1	



GTK UK LTD.

COMPUTER NO.

UNIT

SCALE

PART NAME

D:\DWG\MDJ3DM-R

mm

2:1

MINI DIN JACK

APPD.

CKD.

DWG.

DATE

TOLERANCE

PART NO.

REV.

MODEL

MDJ3DM-R

PAGE 1 OF 1

4

TINA

4-10-00

±0.3

7

8

A