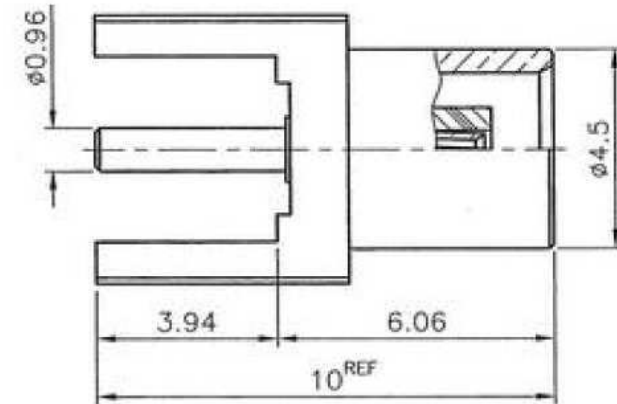
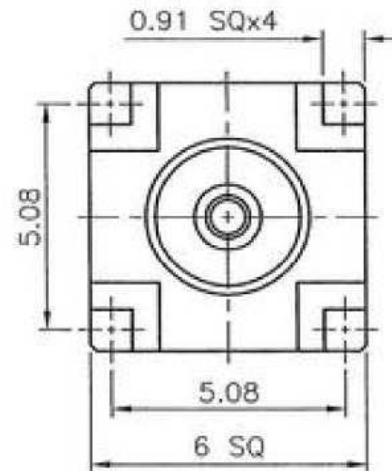
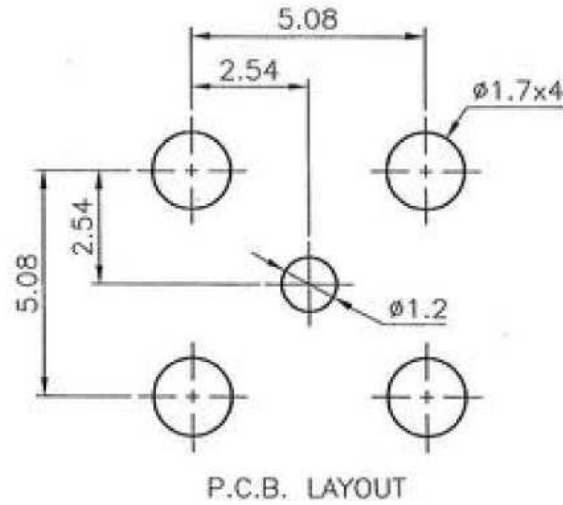



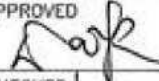
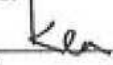

ISS		SYMBOL		REVISIONS	
				DESCRIPTION\DATE	

REMARK: RoHS COMPLIANT

FOR CUSTOMER



- NOTES: FINISH (PLATING THICKNESS IN MICRO-INCHES)
1. BRASS PER QQ-B-626
 2. GOLD PL 3 MIN OVER NICKEL PL 70 MIN THICK OVER COPPER STRIKE
 3. GOLD PL 30 MIN OVER NICKEL PL 70 MIN THICK OVER COPPER STRIKE
 4. TEFLON MIL-P-19468
 5. BERYLLIUM COPPER PER QQ-C-530

					DIMENSIONS ARE IN MILLIMETERS				PART NO.			
					UNLESS OTHERWISE SPECIFIED TOLERANCES (一般公差)				APPROVED	DATE		
					0.5~6 = ±0.2						08/03/06'	MCX PCB MOUNT JACK
					>6~30 = ±0.4						CHECKED	DATE
CONTACT PIN	NOTE 5	NOTE 3			>30~120 = ±0.6						08/03/06'	MCX-J2T-GG25-R
INSULATOR	NOTE 4	WHITE			>120~315 = ±1						DRAWN	DATE
BODY	NOTE 1	NOTE 2			>315~1000 = ±1.6						08/03/06'	
NO.	DESCRIPTION	MATERIAL	FINISH	Q'TY	DRAWING NO.	SCALE	6/1	ISSUE	A1			