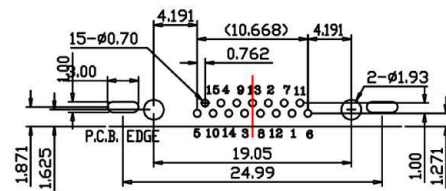
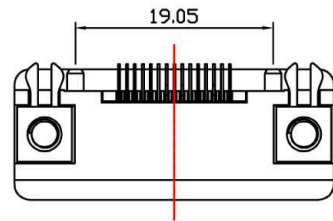
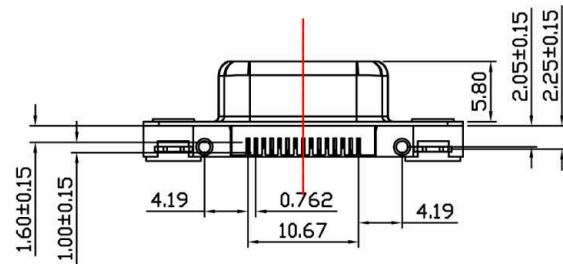
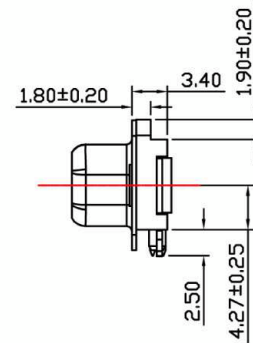
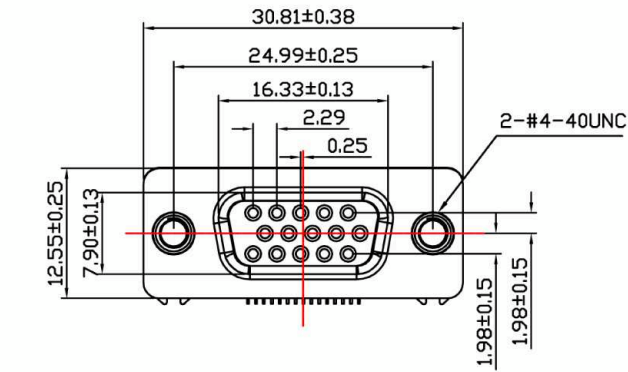


RoHS COMPLIANT

REVISIONS				
REV	ECN NO.	DESCRIPTION	APPROVED BY	DATE
A		▲	KING CHIU	2007-01-12



RECOMMENDED PCB LAYOUT

SPECIFICATIONS

ELECTRICAL CHARACTERISTICS:

Contact Current Rating: 3 Amperes.  
 Dielectric Withstanding Voltage: AC 1000/60sec.r.m.s.  
 Insulation Resistance: 5000 MΩohms Minimum at DC 500V.  
 Contact Resistance: 25 Milliohms Maximum.  
 Operating Temperature: -55°C to +105°C.

MECHANICAL CHARACTERISTICS:

Contact Insertion Force: 341 g. Maximum.  
 Contact Separation Force: 21 g. Minimum.

MATERIALS:

Contacts: Brass.  
 Insulator: PBT UL 94V-0 Rated. Blue  
 Shell: Cold Roller Steel.

FINISHES:

Contact: Gold Flash.  
 Shell: Nickel Plated.

DO NOT SCALE DRAWING

DIMENSIONS: <input type="checkbox"/> MM [INCH] <input type="checkbox"/> INCH [MM] <input checked="" type="checkbox"/> MM ONLY		CAD GENERATED DRAWING, DO NOT MANUALLY UPDATE		<b>GTK UK Ltd</b>	
UNLESS OTHERWISE SPECIFIED, GENERAL TOLERANCE: DECIMALS                      ANGLES X: ±0.38 [0.015]              X°: ±3° X: ±0.25 [0.010]              X°: ±1.0° .XX: ±0.13 [0.005]		DRAWN BY AND DATE JACK QIN 27-04-07			
MATERIAL		CHECKED BY AND DATE JUSTIN XING 27-04-07		DRAWING NO. HDLS15STBL2NS-R	
FINISH		APPROVED BY AND DATE KING CHIU 27-04-07		REV A	
SCALE: 2 : 1		THIRD ANGLE PROJECTION		FILE NO.:	
SIZE: A3				SHEET 1 OF 1	