

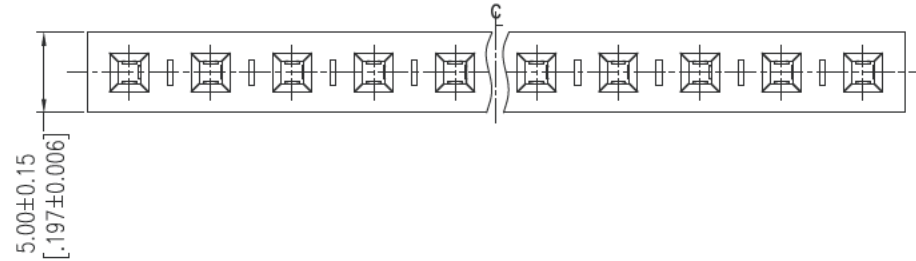
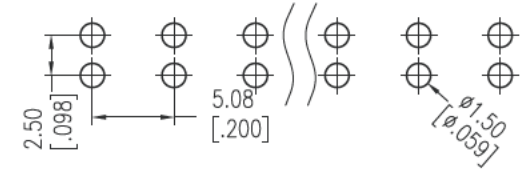
ROHS COMPLIANT

NOTES:

Current Rating: 7.0AMP  
 Contact Resistance: 30mΩ Max  
 Withstand Voltage: 1000V AC/DC  
 Insulation Resistance: 1000MΩ Min  
 Operation Temperature: -40°C to +105°C

Contact Material: Phosphor Bronze  
 Contact plating: Sn over Ni  
 Insulator Material: LCP+30%G.F UL94V-0

Recommended P.C.B Layout (Top Side)  
 (PCB BOARD TOLERANCE ±0.05)

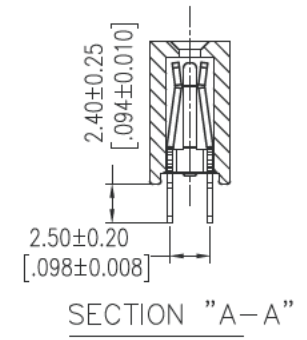
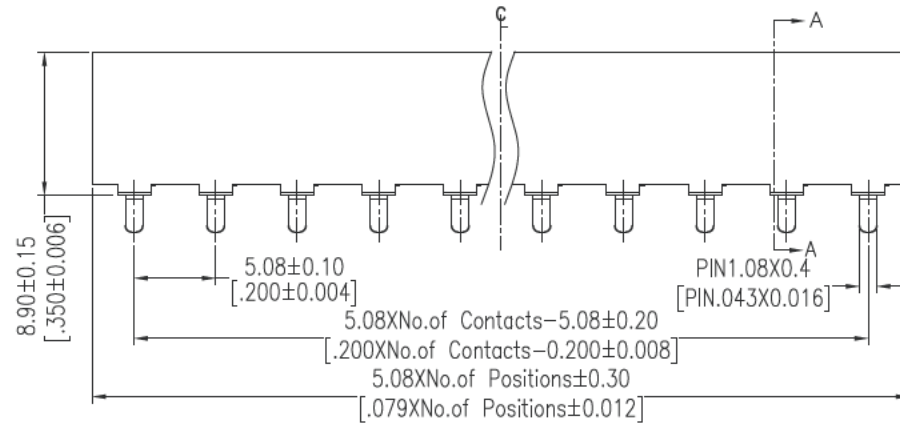


ORDER CODE:

**FHSS xx T6 - 8.9 U**

No contacts:  
02-20

Packaging:  
U = tube



REV	DATE	MODIFICATION DESCRIPTION	CHANGE	OPERATION	DRAW	DATE	SCALE	FIT	PART NO
				x.x ±0.40	Surong Xu	2017/06/08	UNIT	mm	FHSSxxT6-8.9U
A1	2017/06/08	MODIFY	-----	x.xx ±0.25	CHECK	DATE	SIZE	A4	TITLE: FH5.08 SINGLE ROW 180°DIP H=8.9
AO	2012/08/15	NEW	-----	x.xxx ±0.15	APPROVE	DATE	SHEET	1/1	Customer NO.
				Angle ± 3°			PROJ.		
				DIM TOL					

