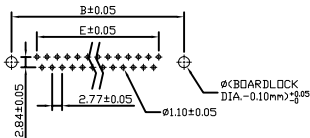
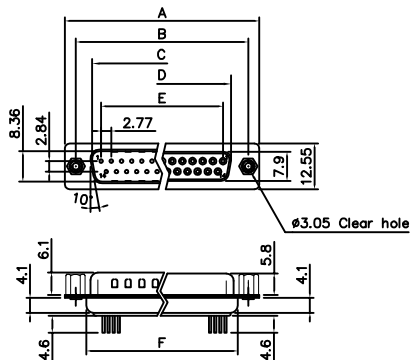


RoHS COMPLIANT

REVISIONS				
REV	ECN NO.	DESCRIPTION	APPROVED BY	DATE
A				



RECOMMENDED PCB LAYOUT



**Specification**

**Material**  
 Insulator : Glass-Filled Thermoplastic PBT WHITE, UL94V-0  
 Contact : Brass,Gold Flash full gold  
 Shell : Steel, 80µ Nickel Over 50µ min Copper  
 Clinch Nut : Brass, Nickel Plated  
 Boardlock : Brass, Tin Plated  
 Screwlock : Steel, Nickel Plated  
**Electrical**  
 Contact Resistance : 20 milliohms  
 Insulation Resistance : 1000 megohms min. at 500 VDC  
 Dielectric Withstanding Voltage : 1000 VAC/rms 60Hz for 1 minute  
 Current Rating : 3 AMP  
 Voltage Rating : 250 VAC/rms 60Hz  
**Environmental**  
 Temperature Range: -55°C ~ +85°C

**DIMENSION TABLE**

POSITIONS	A±0.15	B±0.10	C±0.15	D±0.13	E±0.08	F±0.10	plug	socket
9	30.81	24.99	16.92	16.33	11.08	19.20	DES09PTW1FS-R	DES09PTW2FS-R
15	39.14	33.32	25.50	24.66	19.39	27.70	DAS15PTW1FS-R	DAS15PTW2FS-R
25	53.04	47.04	38.96	38.38	33.24	41.10	DBS25PTW1FS-R	DBS25PTW2FS-R
37	69.32	63.50	55.42	54.84	49.86	57.30	DCS37PTW1FS-R	DCS37PTW2FS-R

DO NOT SCALE DRAWING

DIMENSIONS: <input type="checkbox"/> mm [INCH] <input type="checkbox"/> INCH [mm] <input checked="" type="checkbox"/> mm ONLY	CAD GENERATED DRAWING, DO NOT MANUALLY UPDATE DRAWN BY AND DATE JUSTIN XING 11-21-05	<b>GTK UK Ltd</b>	
UNLESS OTHERWISE SPECIFIED, GENERAL TOLERANCE: DECIMALS                      ANGLES .X   ±0.38 [0.015]            X*   ±3° .XX   ±0.25 [0.010]          .X*   ±1.0° .XXX   ±0.13 [0.005]	CHECKED BY AND DATE JUSTIN XING 11-21-05 APPROVED BY AND DATE KING CHIU 11-21-05	TITLE VERTICAL D-SUB PLUG & RECEPTACLE; 4-40UNC FIXED SCREWLOCK	
MATERIAL FINISH	THIRD ANGLE PROJECTION 	DRAWING NO. DxSxxxTWxFS-R	REV A
SCALE: 1 : 1	SIZE: A3	FILE NO.:	SHEET 1 OF 4