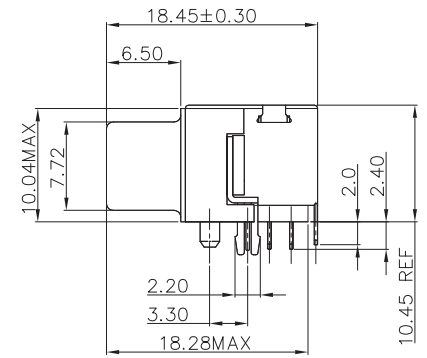
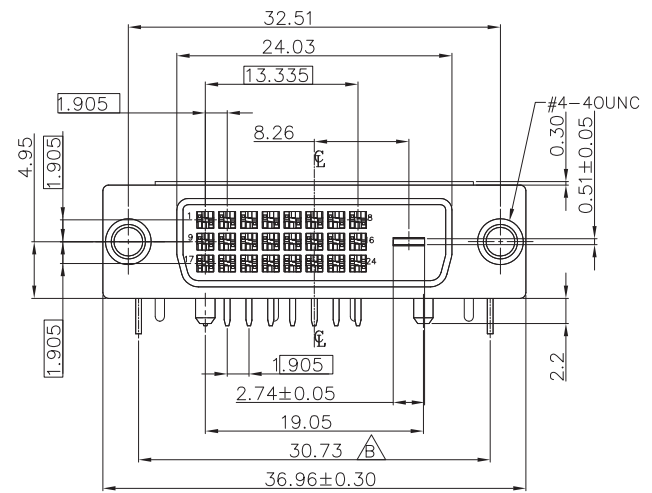


REV.	DESCRIPTION	DATE
A	RELEASE	Aug 26,2010
B	11'0203	Feb 16,2011
C	N13'06046	Jun 29,2013

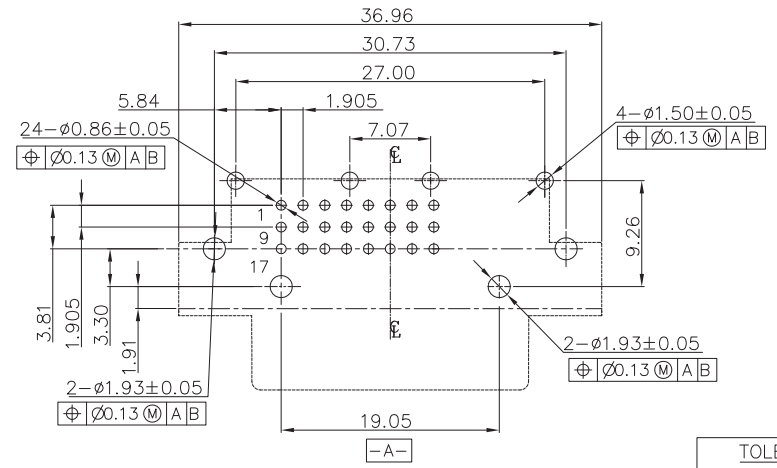
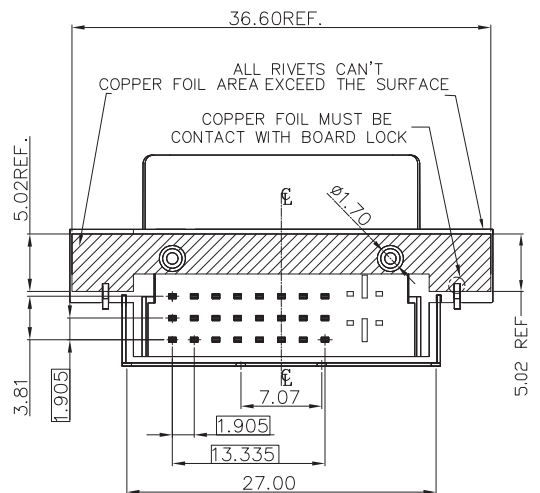


MATERIALS

- HOUSING: THERMOPLASTIC (UL 94V-0),BLACK
- CONTACT: COPPER ALLOY,
PLATING: GOLD PLATED ON CONTACT AREA,
TIN PLATED ON SOLDER TAILS,
NICKEL UNDER PLATED OVERALL.
- BOARD LOCK: COPPER ALLOY,
PLATING: TIN PLATED OVER NICKEL.
- △ SHELL: SPCC, NICKEL PLATED OVERALL.
- △ RIVET: Zn ALLOY, NICKEL PLATED OVERALL.

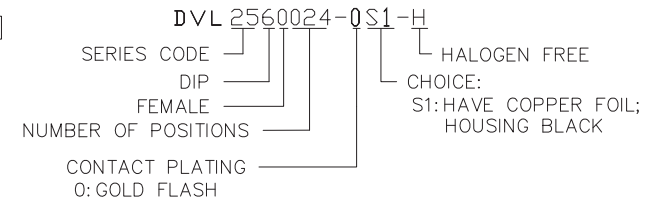
SPECIFICATION


- MATING FORCE: 4.5KG/MAX.
- UNMATING FORCE: 1.0-4.0KG.
- DIELECTRIC WITHSTANDING VOLTAGE:
500V AC R.M.S. FOR ONE MINUTE.
- INSULATION RESISTANCE:
1000MΩ MIN AT 500V DC.
- CONTACT RESISTANCE: 30mΩ MAX.
- OPERATING TEMPERATURE : -25°C TO +85°C.



RECOMMEND PCB LAYOUT
TOLERANCE: ±0.05
TOP VIEW

PART NUMBER INFORMATION:



TOLERANCE .0=±0.38 .00=±0.25 .000=±0.13 .0000=±.0001 ANG.=±3°		DRAWER YUN		 GTK UK LTD.	
UNITS : mm		CHECK LU			NAME DVI-D RECEPTACLE FULL SHIELD
SCALE NONE SIZE A4		APP'D TOM			DRAW NO. DVL2560024-0S1-H
SCALE NONE SIZE A4		SHEET 1 OF 1		SL	
		REV. C			