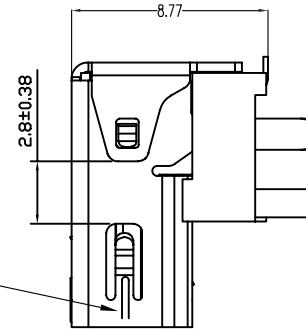
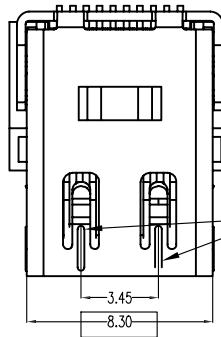
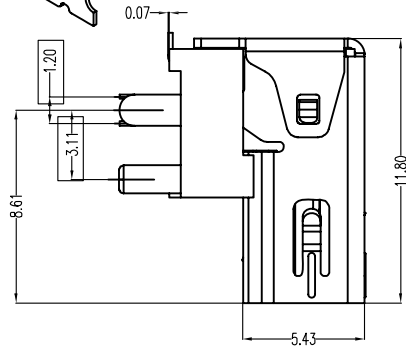
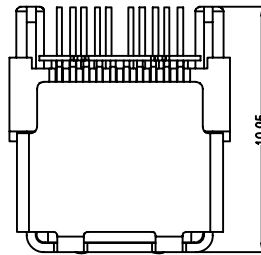
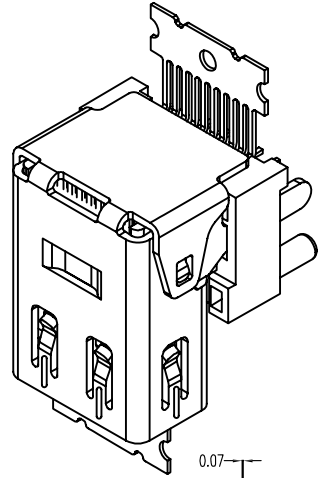


THE INFORMATION CONTAINED IN THIS DOCUMENT IS PROPRIETARY TO Y-S ELECTRONIC, ANY REPRODUCTION IN PART OR WHOLE WITHOUT PRIOR WRITTEN APPROVAL OR AUTHORIZATION OF Y-S ELECTRONIC IS STRICTLY PROHIBITED.

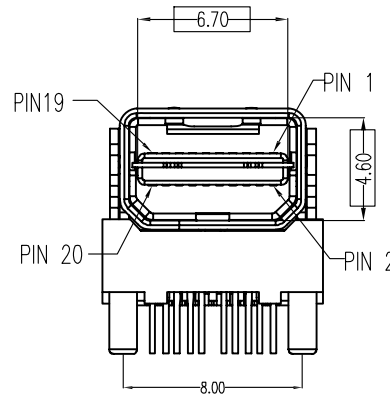
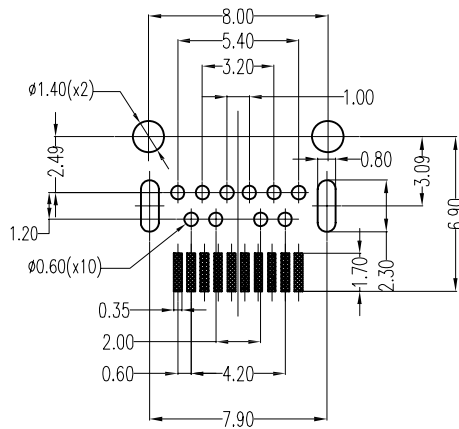
RoHS COMPLIANT

REV.	DESCRIPTION	ECN NO.	DWN.	CHK.	APVD.	DATE
C			Xie	Fan	Zhou	2019.4.9



NOTES:

1. MATERIL
- 1.1 HOUSING:HI-TEMP PLASTIC (UL94-V-0),BLACK
- 1.2 CONTACT:COPPER ALLOY(T=0.20),
PLATING:GOLD PLATED ON CONTACT AREA,
TIN PLATED ON SOLDER TAILS,UNDER
NICKEL PLATED.
- 1.3 SHELL:BRASS(T=0.40),PLATING:NICKEL PLATED,
- 1.4 SPRING SHELL: STAINLESS SUS304 T=0.20mm
- 1.5 COVER: HI-TEMP,PLASTIC(UL94V-0)BLACK,
2. SPECIFICATION:
- 2.1 CURRENT RATING: 0.5 A
- 2.2 CONTACT RESISTANCE: 30m [MAX.
- 2.3 DIELECTRIC WITHSTANDING VOLTAGE: 500V AC
R.M.S FOR ONE MINUTE.
- 2.4 INSULATION RESISTANCE: 100M [MIN AT 500V DC.
- 2.5 OPERATING TEMPERATURE: -25.?TO +85.?
- 2.6 DURABILITY: 10000 CYCLES.
- 2.7 MATING FORCE: 4.5KG MAX.
- 2.8 UNMATING FORCE: 1.0KG MIN



DO NOT SCALE DRAWING

DIMENSIONS:		CAD GENERATED DRAWING, DO NOT MANUALLY UPDATE		TITLE	
<input type="checkbox"/> MM [INCH]	<input type="checkbox"/> INCH [mm]	<input checked="" type="checkbox"/> MM ONLY			
UNLESS OTHERWISE SPECIFIED, GENERAL TOLERANCE:		CHECKED BY AND DATE		DRAWING NO.	
DECIMALS		Long 2015-07-30		DP20-BV1N-FN10	
ANGLES		APPROVED BY AND DATE		REV	
X. ±0.38 [0.015]		Zhou 2015-07-30		C	
.X ±0.25 [0.010]		THIRD ANGLE PROJECTION		FILE NO.:	
.XX ±0.20				SHEET 1 OF 1	
MATERIAL:		SCALE: 1:1		SIZE: A3	
FINISH:					