

**ELECTRICAL:**

CURRENT RATING: 1.5A  
 VOLTAGE RATING: 125V AC  
 INSULATION RESISTANCE: 500M $\Omega$  Mini  
 WITHSTAND VOLTAGE: AC 1500 V RMS 50Hz OR 60Hz 1 Min  
 CONTACT RESISTANCE: 20m $\Omega$  Max  
 TR: 1:1 $\pm$ 5%  
 INSERTION FORCE: 2 CONTACTS----350g 4 CONTACTS----500g  
 6 CONTACTS----750g 8 CONTACTS----900g

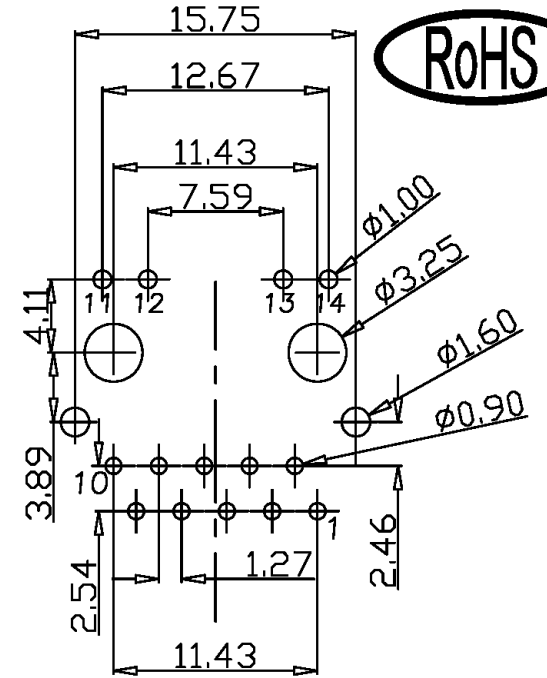
**MECHANICAL:**

RETENTION STRENGTH: 7.7Kg BETWEEN JACK AND PLUG  
 DURABILITY: 750 MATING CYCLES Mini

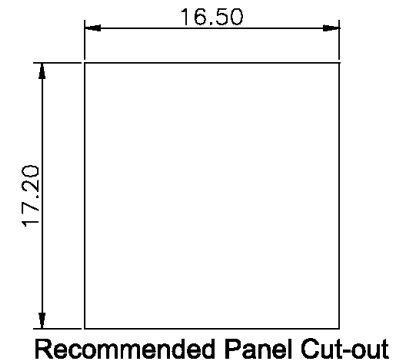
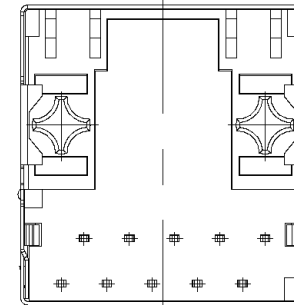
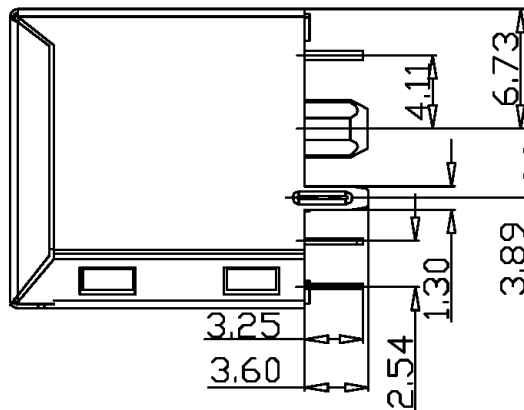
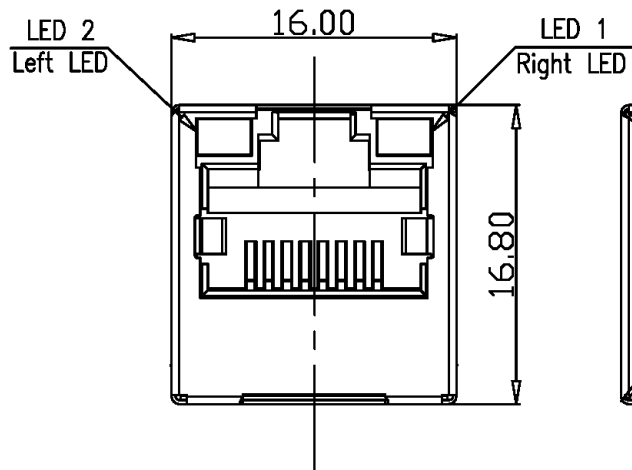
**MATERIAL:**

HOUSING: GLASS FILLED PBT (UL 94V-0)  
 SPRING WIRE: 0.35mm THICKNESS PHOSPHOR BRONZE ALLOY SELECTIVE GOLD PLATING OVER NICKEL  
 SHIELDING: 0.20mm THICKNESS COPPER ALLOY WITH TIN PLATED

WORKING TEMPERATURE: -40 °C-70 °C



**Recommended PCB Layout (Component Side)**

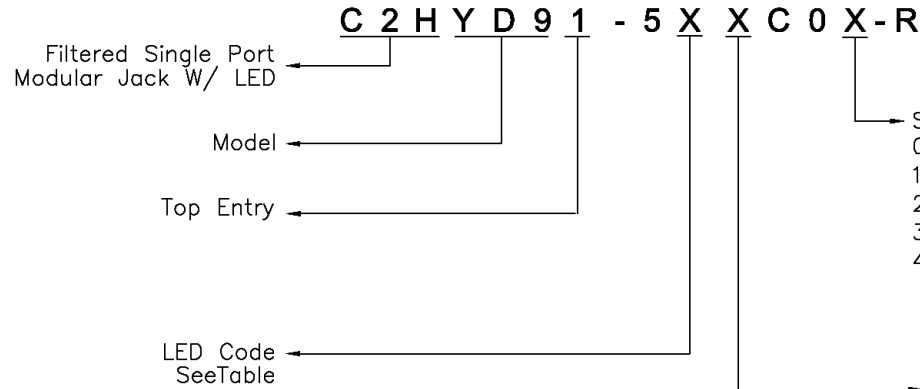


**Recommended Panel Cut-out**



TITLE		RJ45+TRANSFORMER		OPEN TOLERANCES		DWG.		Kate 12/21/15'			
		10/100 BASE 180° POE (RoHS)		Fraction Decimals Angles		CKD.		Justin 12/21/15'			
PART NO.		C2HYD91-5XXCOX-R		All Dimensions in mm		APPD.		Justin 12/21/15'		A	New Release
REF. NO.				SCALE		SHEET					12/21/15'
				2 : 1		1 of 2				REV.	DESCRIPTION
				QA. NO.							DATE

# Order Information



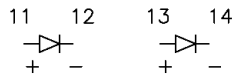
LED Code P/N Table

LED 2 Left LED	Color	LED 1 Right LED	Color	Part No. Code
Yes	Yellow	Yes	Green	1
Yes	Green	Yes	Yellow	2
Yes	Green	Yes	Green	3
Yes	Green	Yes	Red	4
Yes	Red	Yes	Green	5
No	Blank	Yes	Green	6
Yes	Yellow	No	Blank	7
Yes	Yellow	Yes	Yellow	8
Yes	Orange/Green	Yes	Orange/Green	9
Yes	Yellow/Green	Yes	Yellow/Green	A
Yes	Orange/Green	Yes	Yellow	B
Yes	Green	No	Blank	C
Yes	Yellow	Yes	Red	D
Yes	Red/Green	Yes	Red/Green	E
Yes	Orange/Green	Yes	Yellow	F
Yes	Orange/Green	Yes	Green	G
Yes	Green	Yes	Red/Green	H
Yes	Red	Yes	Red	J
Yes	Green	Yes	Orange/Yellow	K
Yes	Yellow/Orange	Yes	Green	L
Yes	Red	Yes	Yellow	M
Yes	Yellow/Green	Yes	Green	N
Yes	Blank	No	Yellow/Green	P
Yes	Orange/Green	Yes	Red	Q
Yes	Yellow	Yes	Yellow/Green	R
Yes	Green	Yes	Yellow/Green	V

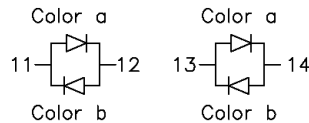
Bi-Color LED Definition: Color a/Color b

## LED Configuration

### Single Color LED

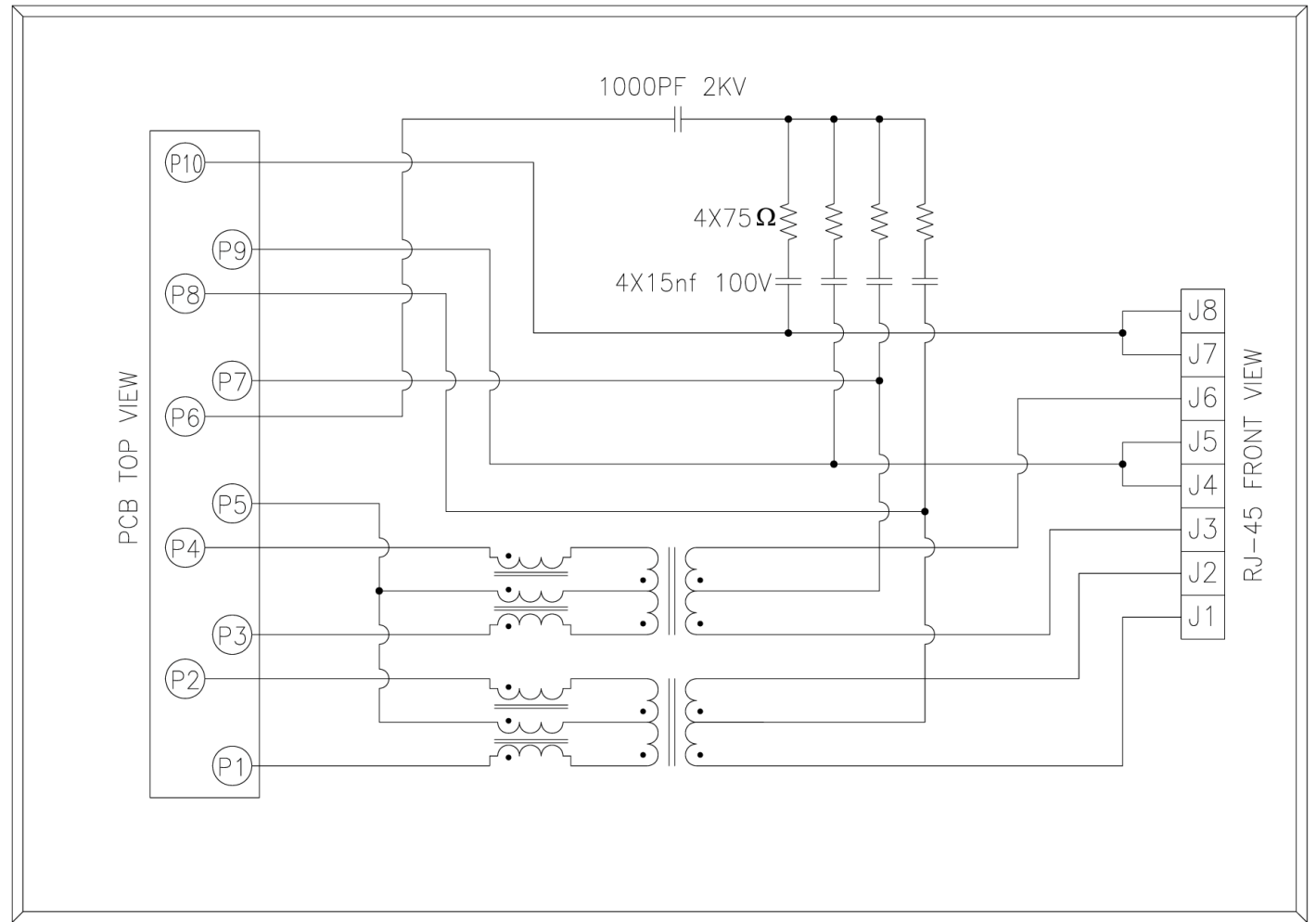


### Bi-Color LED



TITLE	RJ45+TRANSFORMER 10/100 BASE 180° POE (RoHS)	OPEN TOLERANCES Fraction Decimals Angles x ±0.50 xx ±0.38 xxx ±0.25 xxxx ±0.10	DWG. Kate 09/28/12'		
PART NO.	C2HYD91-5XXC0X-R	SCALE 2 : 1	CKD. Justin 09/28/12'		
REF. NO.		SHEET 2 of 2	APPD. Justin 09/28/12'	A	New Release 09/28/12'
		QA NO.	REV.	DESCRIPTION	DATE

# Schematic C60



## ELECTRICAL CHARACTERISTICS @ 25°C

Isolation Voltage(Input to Output): 1500 Vrms

Turns Ratio: TX 1CT:1CT ±5% ; RX 1CT:1CT ±5%

Insertion Loss: -1.0dB Max. @1-100MHz

Return Loss:

1-30MHz	30-60MHz	60-80MHz	(Min.)
-20dB	-16dB	-12dB	

Cross Talk:

1-30MHz	30-60MHz	60-80MHz	(Min.)
-30dB	-30dB	-30dB	

Common Mode Rejection:

1-100MHz	100-200MHz	(Min.)
-30dB	-20dB	

Inductance: 350uH Min with 8mA DC Bias, @100KHz/100mV



TITLE FILTER SCHEMATIC C60 TYPE		OPEN TOLERANCES Fraction Decimals Angles X ±0.50 XX ±0.38 XXX ±0.25 XXXX ±0.10		DWG. Kate 12/21/15' CKD. Justin 12/21/15' APPD. Justin 12/21/15'			
PART NO.	REV. A	SCALE 1:1	SHEET 1 of 1	A	New Release	12/21/15'	
REF. NO.	QA. NO.			REV.	DESCRIPTION	DATE	