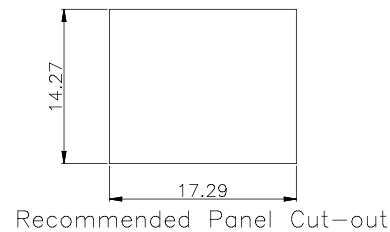


Recommended PCB Layout
(Component Side)



Connect Material:
 Housing: Thermoplastic, PBT, UL 94V-0, Black
 Contact/Shield: Copper alloy
 Shield Plating: Nickel



TITLE GIGABIT MODULAR JACK, POE W/ LEDS (RoHS)		 All Dimensions in mm	OPEN TOLERANCES Fraction Decimals Angles X.X ±0.50 ±1° X.XX ±0.38 X.XXX ±0.25 X.XXXX ±0.10	DWG. Kate 12/18/13'		
PART NO. C2HY790-6F1C01-R	REV. A		SCALE 2 : 1	SHEET 1 of 3	APPD. Justin 12/18/13'	
REF. NO.	QA. NO.				REV. A	New Release 12/18/13'
						DESCRIPTION DATE

Order Information

C 2 H Y 7 9 0 - 6 X X C 0 X -R

USB+RJ45 Stacked
W/ LED & Transformers

Model

Right Angle Side Entry

LED Code

Selective Gold Plating
1: 6u" Gold

Schematic
1 : Schematic P01

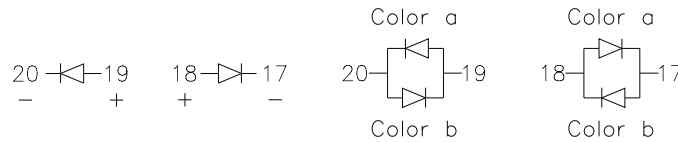
LED 2 Left LED	Color	LED 1 Right LED	Color	Part No. Code
Yes	Yellow	Yes	Green	1
Yes	Green	Yes	Yellow	2
Yes	Green	Yes	Green	3
Yes	Green	Yes	Red	4
Yes	Red	Yes	Green	5
No	Blank	Yes	Green	6
Yes	Yellow	No	Blank	7
Yes	Yellow	Yes	Yellow	8
Yes	Orange/Green	Yes	Orange/Green	9
Yes	Yellow/Green	Yes	Yellow/Green	A
Yes	Orange/Green	Yes	Yellow	B
Yes	Green	No	Blank	C
Yes	Yellow	Yes	Red	D
Yes	Red/Green	Yes	Red/Green	E
Yes	Green/Orange	Yes	Yellow	F

Bi-Color LED Definition: Color a/Color b

LED Configuration

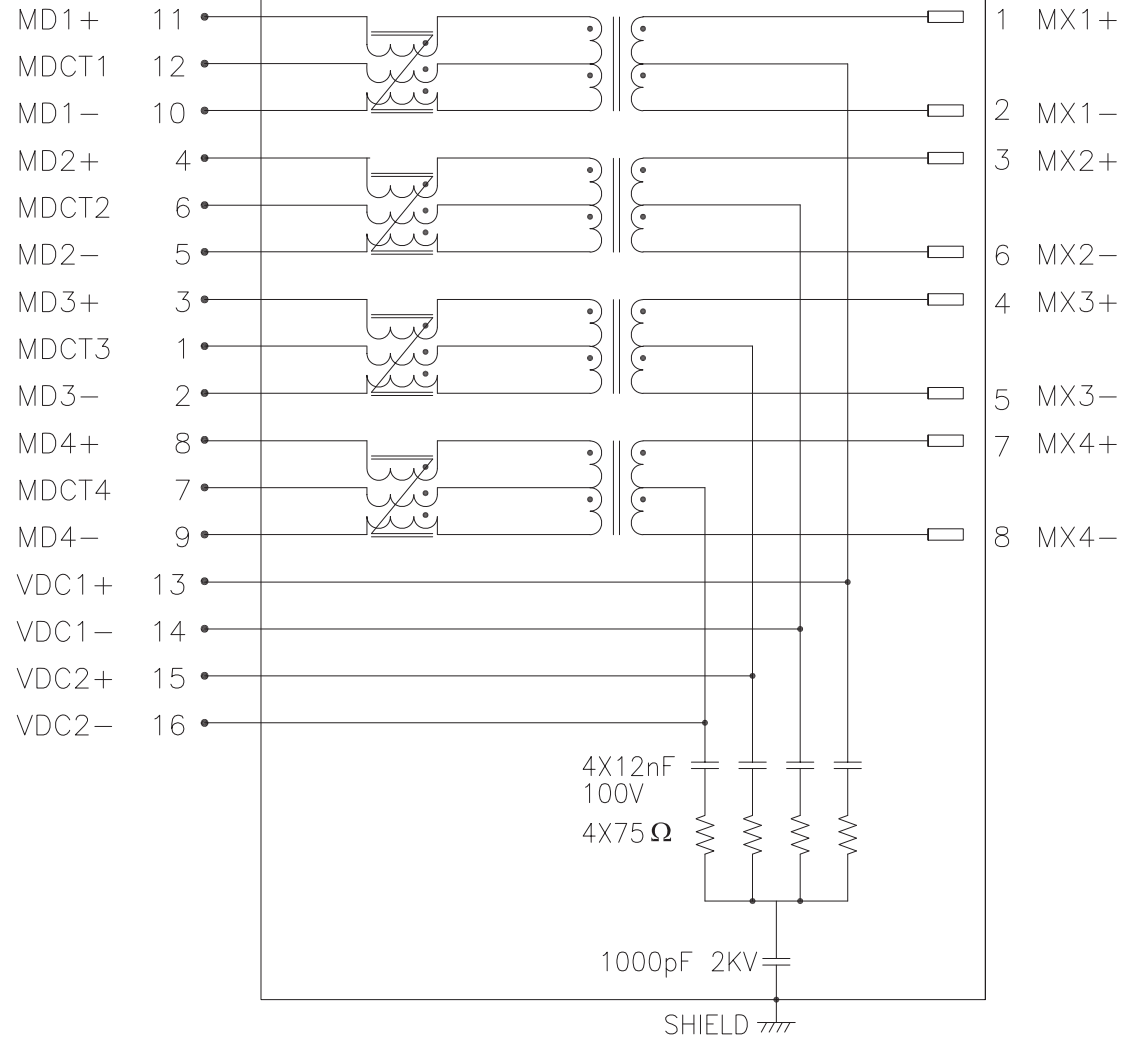
Single Color LED

Bi-Color LED



TITLE GIGABIT MODULAR JACK, POE W/ LEDS (RoHS)		OPEN TOLERANCES Fraction Decimals Angles X.X ±0.50 ± 1° X.XX ±0.25 X.XXX ±0.10 All Dimensions in mm	DWG. Kate 12/18/13'		
PART NO. C2HY790-6F1C01-R	REV. A		CKD. Justin 12/18/13'		
REF. NO.	QA. NO.	SCALE 2 : 1	APPD. Justin 12/18/13'	A	New Release 12/18/13'
				REV.	DESCRIPTION DATE

Schematic P01



10/100 MB ELECTRICAL CHARACTERISTICS @ 25°C

Isolation Voltage(Input to Output): 1500 Vrms
 Turns Ratio: TX 1CT:1CT ±5% ; RX 1CT:1CT ±5%
 Insertion Loss:

1-100MHz	100-125MHz	(Max.)
-1.0dB	-1.2dB	

Return Loss:

1-30MHz	30-60MHz	60-80MHz	80-100MHz	(Min.)
-20dB	-16dB	-12dB	-10dB	

Common Mode Rejection:

1-50MHz	50-150MHz	(Min.)
-30dB	-20dB	

Cross Talk:

1-30MHz	30-60MHz	60-100MHz	(Min.)
-40dB	-35dB	-30dB	



TITLE FILTER SCHEMATIC P01 TYPE		OPEN TOLERANCES Fraction Decimals Angles X .X ±0.50 X.X ±0.38 XXX ±0.25 X.XXX ±0.10	DWG. Kate 12/18/13'		
PART NO. C2HY790-6F1C01-R	REV. A		SCALE 1:1	CKD. Justin 12/18/13'	
REF. NO.	QA. NO.	SHEET 3 of 3	APPD. Justin 12/18/13'	A	New Release 12/18/13'
				REV.	DESCRIPTION DATE