

**Connect Material:**  
 Housing: Thermoplastic, PBT, UL 94V-0  
 Contact/Shield: Cooper alloy  
 Shield Plating: Nickel

XXXX  
 RoHS  
 XX XX  
 Year Week

14.00  
 16.30  
**Recommended Panel Cut-out**

**gtk** **GTK UK LTD.**

TITLE	SINGLE MODULAR JACK W/ MAGNETICS & LEDS (RoHS)	OPEN TOLERANCES	DWG.	Kate	09/04/18'		
		Fraction Decimals Angles	CKD.	Justin	09/04/18'	C	Add. Date Code 09/04/18'
PART NO.	C29Y670-51EC01-R	± 0.50 ± 0.38 ± 0.25 ± 0.10	APPD.	Justin	09/04/18'	B	Update Drawing 01/06/16
REF. NO.		SCALE	SHEET			A	New Release 08/12/08
		2 : 1	1 of 3			REV.	DESCRIPTION DATE
		QA. NO.					

# Order Information

**C 2 9 Y 6 7 0 - X X X C 0 X - R**

Filtered Single Port  
Modular Jack W/ LED

Model

Right Angle Side Entry

5: No Grounding Tab  
6: All Grounding Tab

LED Code  
SeeTable

Selective Gold Plating  
0 : Gold Flash  
1 : 6u" Gold Plated  
2 : 15u" Gold Plated  
3 : 30u" Gold Plated  
4 : 50u" Gold Plated

Schematic

2 : Schematic C02  
3 : Schematic C03  
6 : Schematic C06  
7 : Schematic C07  
8 : Schematic C08  
9 : Schematic C09  
A : Schematic C10  
C : Schematic C17  
E : Schematic C20  
F : Schematic C41  
G : Schematic C63

## LED Code P/N Table

LED 2 Left LED	Color	LED 1 Right LED	Color	Part No. Code
Yes	Yellow	Yes	Green	1
Yes	Green	Yes	Yellow	2
Yes	Green	Yes	Green	3
Yes	Green	Yes	Red	4
Yes	Red	Yes	Green	5
No	Blank	Yes	Green	6
Yes	Yellow	No	Blank	7
Yes	Yellow	Yes	Yellow	8
Yes	Orange/Green	Yes	Orange/Green	9
Yes	Yellow/Green	Yes	Yellow/Green	A
Yes	Orange/Green	Yes	Yellow	B
Yes	Green	No	Blank	C
Yes	Yellow	Yes	Red	D
Yes	Red/Green	Yes	Red/Green	E
Yes	Orange/Green	Yes	Yellow	F
Yes	Orange/Green	Yes	Green	G
Yes	Yellow	Yes	Green/Orange	H

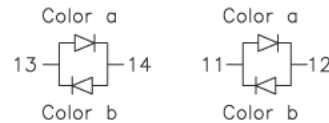
Bi-Color LED Definition: Color a/Color b

## LED Configuration

Single Color LED



Bi-Color LED



**GTK UK LTD.**

TITLE  
SINGLE MODULAR JACK W/  
MAGNETICS & LEDS (RoHS)

PART NO. **C29Y670-51EC01-R** REV. C

REF. NO.



All Dimensions  
in mm

SCALE  
2 : 1

QA. NO.

OPEN TOLERANCES  
Fraction Decimals Angles  
X ±0.50 ± 1°  
XX ±0.38  
XXX ±0.25  
XXXX ±0.10

SHEET  
2 of 3

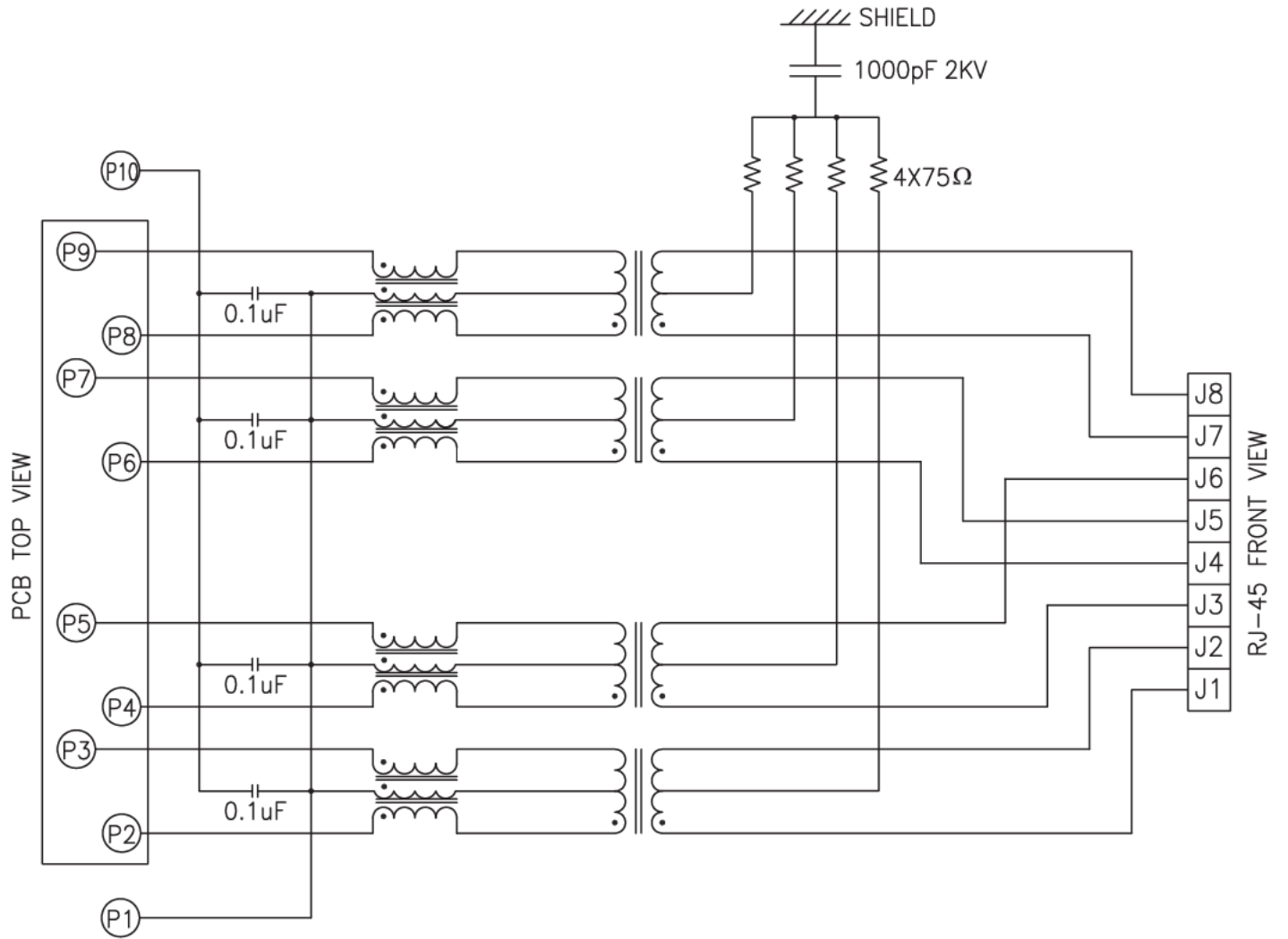
DWG. Kate 09/04/18'

CKD. Justin 09/04/18'

APPD. Justin 09/04/18'

REV.	DESCRIPTION	DATE
C	Add. Date Code	09/04/18'
B	Update Drawing	01/06/16
A	New Release	08 12 08

# Schematic C20



## ELECTRICAL CHARACTERISTICS @ 25°C

Isolation Voltage(Input to Output): 1500 Vrms  
 Turns Ratio: TX 1CT:1CT ±5% ; RX 1CT:1CT ±5%

Insertion Loss:

1-100MHz	100-125MHz	(Max.)
-1.0dB	-1.2dB	

Return Loss:

1-30MHz	30-60MHz	60-80MHz	80-100MHz	(100ohm(dB MIN))
-_0dB	-16dB	-12dB	-10dB	

Common Mode Rejection:

1-50MHz	50-150MHz	(Min.)
-30dB	-20dB	

Cross Talk:

1-30MHz	30-60MHz	60-100MHz	(Min.)
-40dB	-35dB	-30dB	

Inductance: 350uH Min with 8mA DC Bias, @100KHz/100mV  
 High Voltage Cap: 1000pF-2KV



TITLE FILTER SCHEMATIC C20 TYPE		OPEN TOLERANCES Fraction Decimals Angles x ±0.50 ±1° x.x ±0.50 x.xx ±0.25 x.xxx ±0.10	DWG. Kate 09/24/13'		
PART NO. C29Y670-51EC01-R REV. A			CKD. Justin 09/24/13'		
REF. NO.	SCALE 1:1	SHEET 3 of 3	APPD. Justin 09/24/13'	A	New Release 09/24/13'
	QA. NO.			REV.	DESCRIPTION DATE