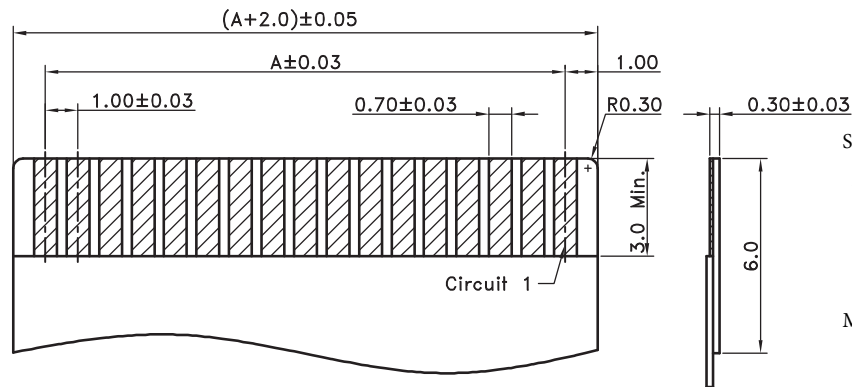


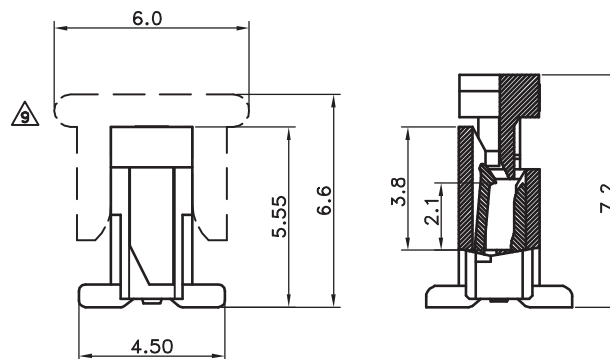
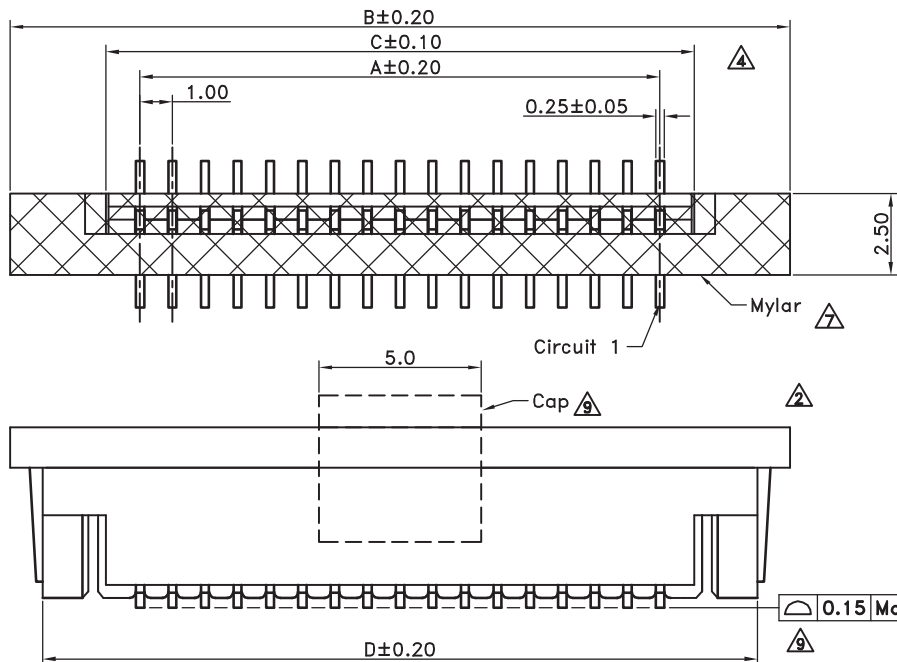
Recommended PCB Layout
General Tolerance ± 0.05



Applicable FFC Thickness 0.30mm

SPECIFICATION;
Current Rating; 0.5A AC/DC
Withstanding voltage; 200V AC/minute
Insulation Resistance; 500mOhm min
Temperature range: -25°C to + 85°C
Contact Resistance: 30m Ohm Max

MATERIAL:
Contact: Phosphor Bronze
Plating: Matte-tin
Base: LCP UL94V0 (natural)
Latch: LCP UL94V0 (black)



Poles	Dimensions (mm)			
	A	B	C	D
4	3.00	11.00	5.10	9.05
5	4.00	12.00	6.10	10.05
6	5.00	13.00	7.10	11.05
7	6.00	14.00	8.10	12.05
8	7.00	15.00	9.10	13.05
9	8.00	16.00	10.10	14.05
10	9.00	17.00	11.10	15.05
11	10.00	18.00	12.10	16.05
12	11.00	19.00	13.10	17.05
13	12.00	20.00	14.10	18.05
14	13.00	21.00	15.10	19.05
15	14.00	22.00	16.10	20.05
16	15.00	23.00	17.10	21.05
17	16.00	24.00	18.10	22.05
18	17.00	25.00	19.10	23.05
19	18.00	26.00	20.10	24.05
20	19.00	27.00	21.10	25.05
21	20.00	28.00	22.10	26.05
22	21.00	29.00	23.10	27.05
23	22.00	30.00	24.10	28.05
24	23.00	31.00	25.10	29.05
25	24.00	32.00	26.10	30.05
26	25.00	33.00	27.10	31.05
27	26.00	34.00	28.10	32.05
28	27.00	35.00	29.10	33.05
29	28.00	36.00	30.10	34.05
30	29.00	37.00	31.10	35.05

△ When Latch is opened



APPROVED BY	SCALE	UNIT	TOLERANCE	LTR	REVISION RECORD	NAME	DATE	LTR	REVISION RECORD	NAME	DATE
Tom Shih		mm	.0 ±0.30	△	Chang Lost	---	---	△	Modify electric spec.	Jeff	2015/06/24
CHECKED BY	PROJ	VER NO.	.00 ±0.20	△	Modify structure	Indiana	2008/10/01	△	Add cap & packing Options	Jeff	2016/06/14
Erin Chou	⊕ ⊖	α10	.000 ±0.10	△	Modify Q'ty	Indiana	2009/04/20	△	Add plated Options	Tom Lee	2017/08/22
DRAWN BY	DATE	SIZE	ANGLE	△	Modify tolerance	Tom	2010/01/04	CUSTOMER			
Tom Lee	2017/08/22	A4	0° ±1°	△	Add cap options	Tom	2011/12/16				
			0° ±	△	Remove excess material described	Jeff	2013/01/21				
SHEET 1/1				△	Add section, mylar options	Jeff	2015/04/16	Conforms to The RoHS Instruction			

PART NO ZIFJxx-1.0V0-R
1.00mm FPC CONN, VERTICAL TYPE